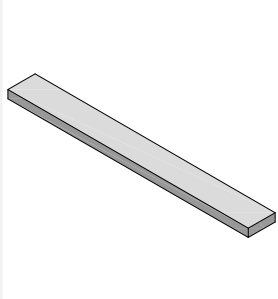


RIDGE BLOCK

RA 100_500
_550
_600

NOTES



MATERIAL

Expanded polyethylene
density 80 Kg/mc

SUITABLE FOR

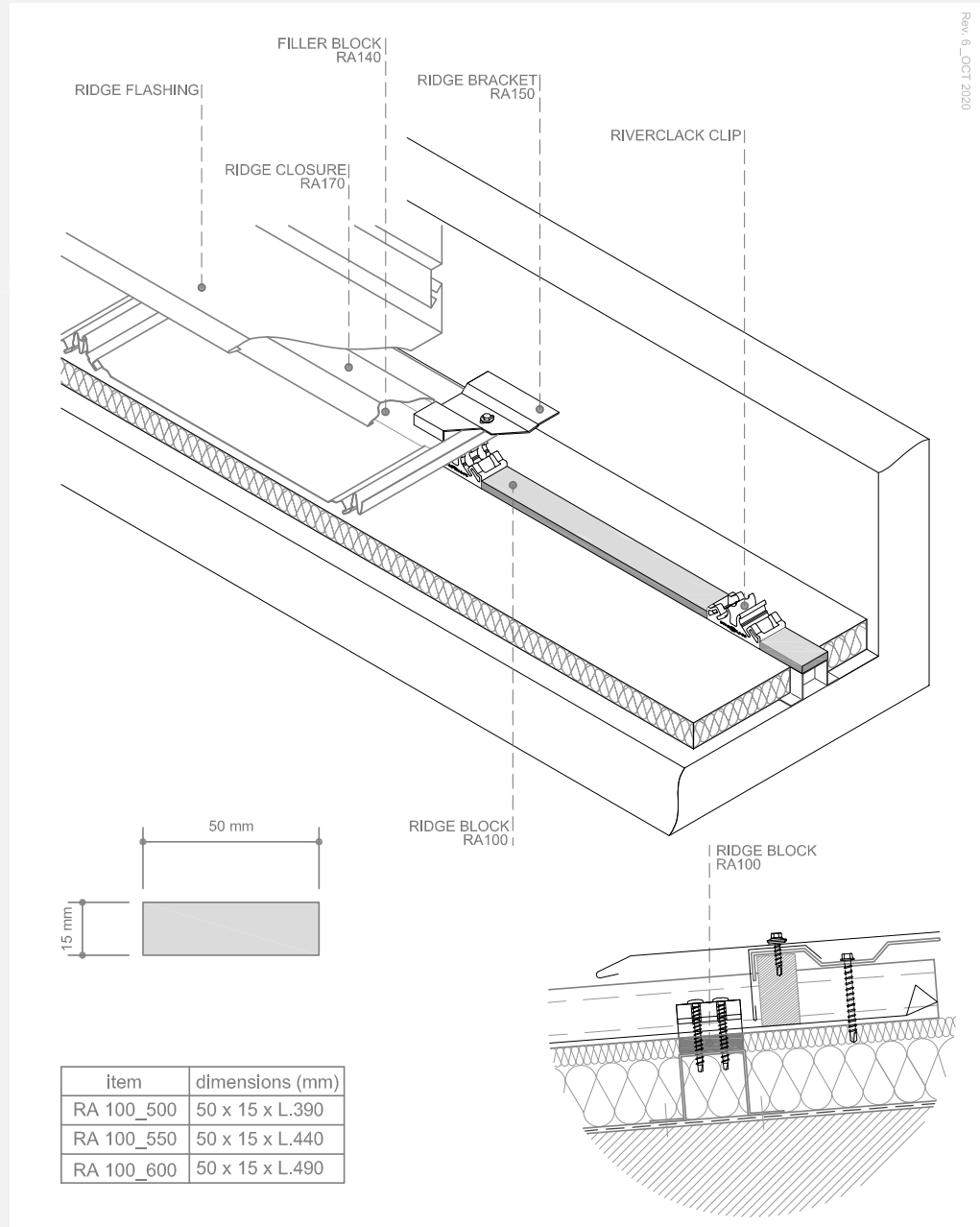
Riverclack 500
Riverclack 550
Riverclack Grip 600

INSTALLATION ADVISES

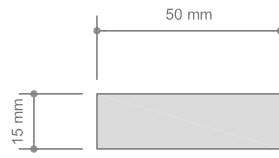
- The block is self adhesive
- Make sure the surface of adhesion is clean

WWW.RIVERCLACK.COM

TECHNICAL SITUATION

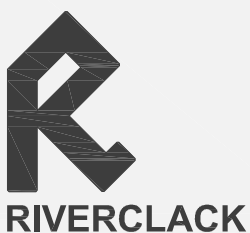
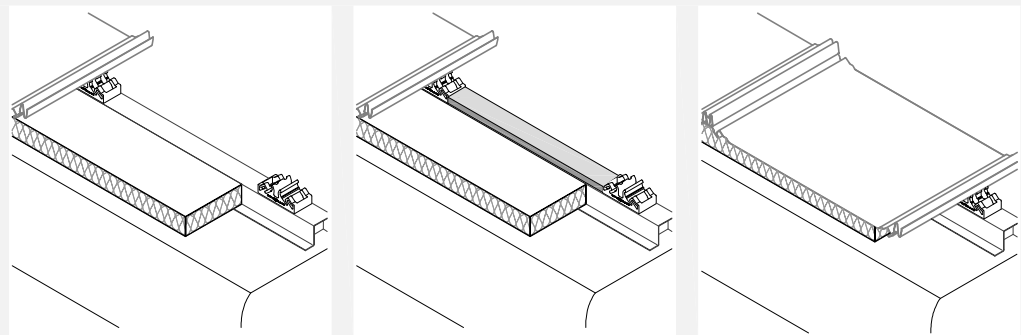


Rev. 6_OCT 2020



item	dimensions (mm)
RA 100_500	50 x 15 x L.390
RA 100_550	50 x 15 x L.440
RA 100_600	50 x 15 x L.490

INSTALLATION SEQUENCE



All information issued by ISCOM SPA is subject to continuous development without notification. The information contained in this data-sheet are correct at the date of issue. It is addressee's responsibility to ascertain from ISCOM SPA that the information contained in this data-sheet has not changed at the time of use by the addressee.