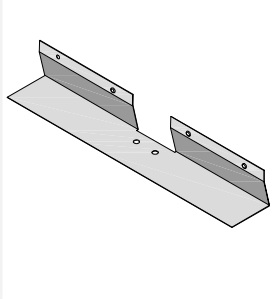


# FIXED POINT BRACKET

# RA 120

## NOTES



### MATERIALS

AISI 304 stainless steel

### SUITABLE FOR

Riverclack 500  
Riverclack 550

### INCLUDED COMPONENTS

N°4 ø4.0x9 mm stainless steel rivets

### NOTES

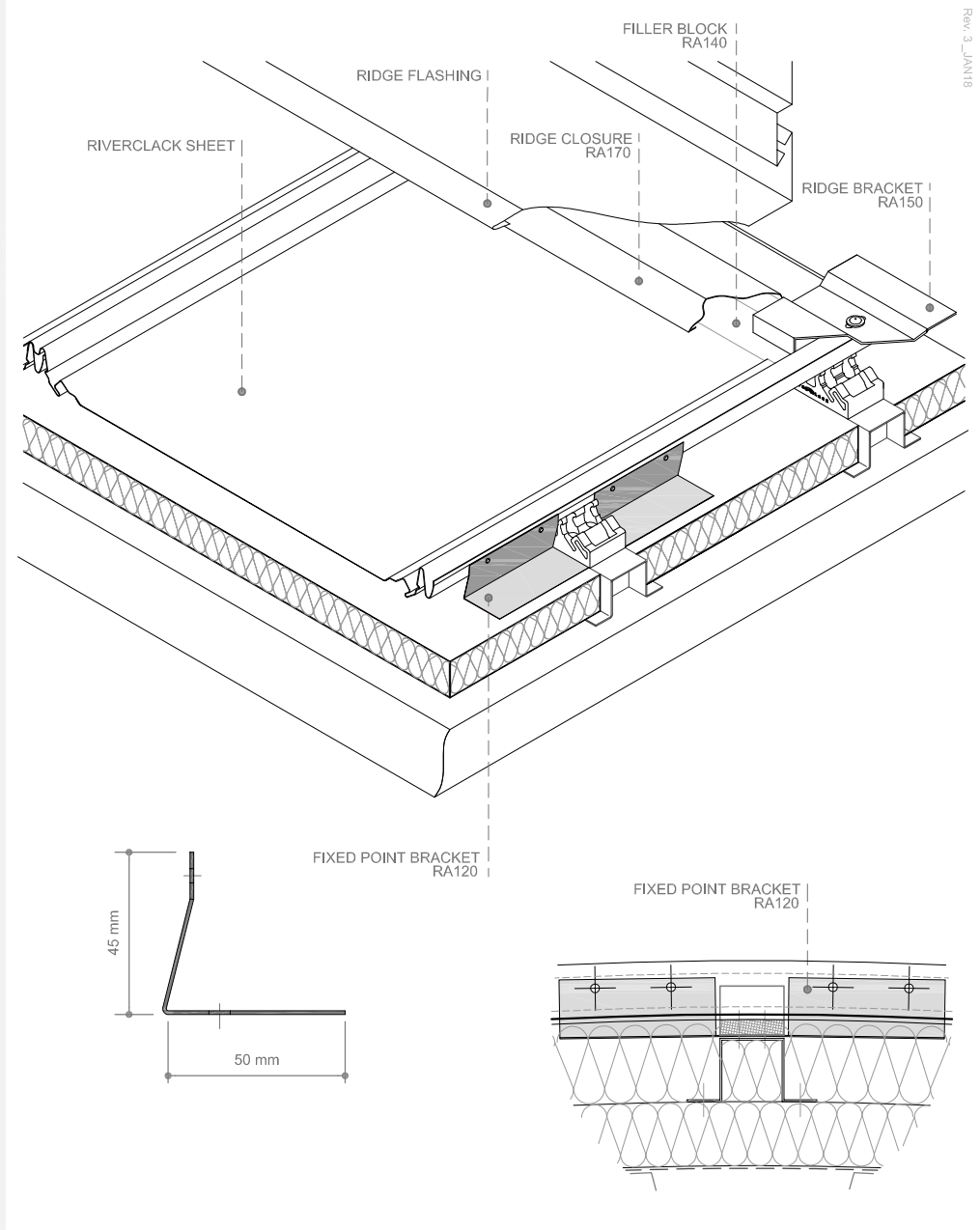
- Suitable anywhere along sheet length
- The use outside of ridge area (i.e. middle of sheet) requires movements to be accommodated at sheet end
- For sheets longer than 30 m, high snow loads, permanent loads (i.e. machinery), or tolerances in the structure that are excessively wide, use two or more RA 120. For these applications, please refer to fixed point guidelines or contact ISCOM technical office
- The design by a competent technician is always recommended, pay special attention to loads deriving from extreme weather conditions

### INSTALLATION ADVISES

- With two or more RA 120 on the sheet it is recommended to install on purlins placed in the same fixed point area (max separation 2 m)

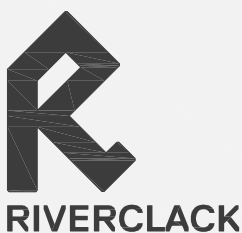
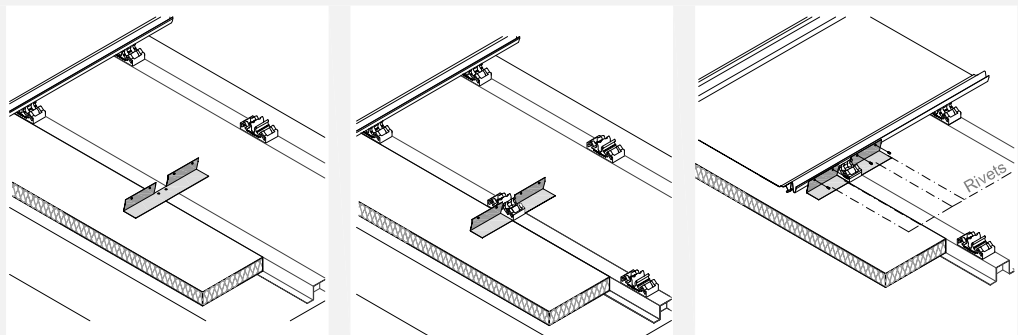
[WWW.RIVERCLACK.COM](http://WWW.RIVERCLACK.COM)

## TECHNICAL SITUATION



REV. 3 JAN18

## INSTALLATION SEQUENCE



All information issued by ISCOM SPA is subject to continuous development without notification. The information contained in this data-sheet are correct at the date of issue. It is addressee's responsibility to ascertain from ISCOM SPA that the information contained in this data-sheet has not changed at the time of use by the addressee.