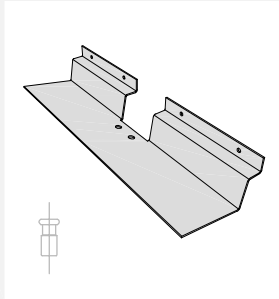


# FIXED POINT BRACKET RIVERCLACK GRIP 600

RA 121

## NOTES



### MATERIALS

AISI 304 stainless steel

### SUITABLE FOR

Riverclack Grp 600

### INCLUDED COMPONENTS

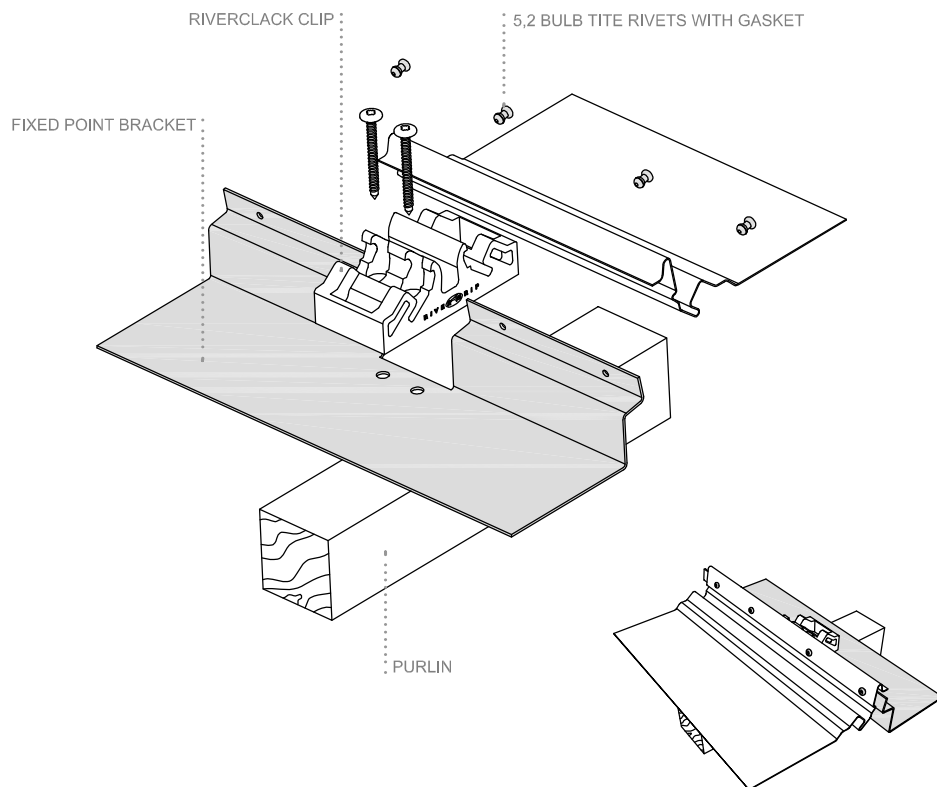
N°4 5,2 x 17,5 bulb tite aluminum rivets, with EPDM gasket

### NOTES

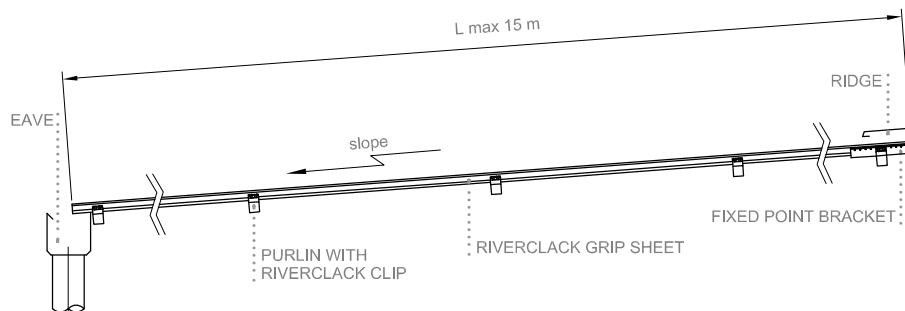
- Straight sheet length <15 m with fixed point location in sheet ends
- Do not install on copper sheets
- The Installation of the Item in the ridge zone under the flashing is needed to guarantee watertightness
- The design by a competent technician is always recommended, pay special attention to loads deriving from extreme weather conditions

[WWW.RIVERCLACK.COM](http://WWW.RIVERCLACK.COM)

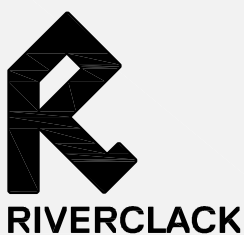
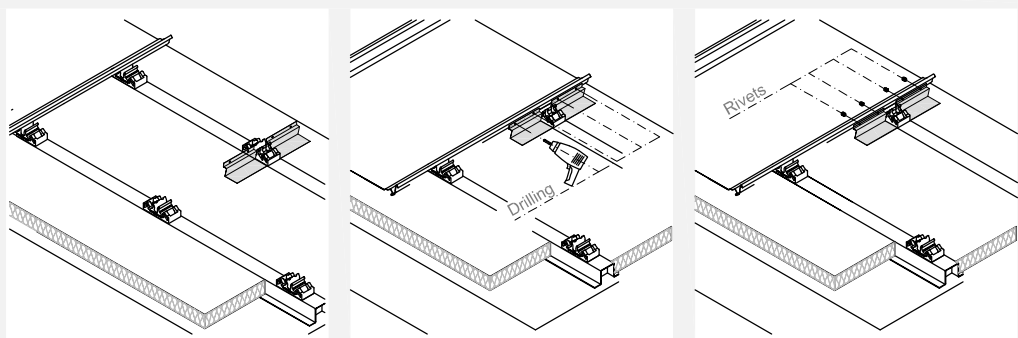
## TECHNICAL SITUATION



Rev. 3\_14PR10



## INSTALLATION SEQUENCE



All information issued by ISCOM SPA is subject to continuous development without notification. The information contained in this data-sheet are correct at the date of issue. It is addressee's responsibility to ascertain from ISCOM SPA that the information contained in this data-sheet has not changed at the time of use by the addressee.