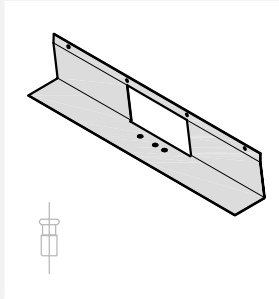


FIXED POINT BRACKET

RIVERCLACK 460 HR + / RIVERCLACK 50

RA 125

NOTES



MATERIALS

Stainless steel AISI 304

SUITABLE FOR

Riverclack 460 HR +
Riverclack 50

INCLUDED COMPONENTS

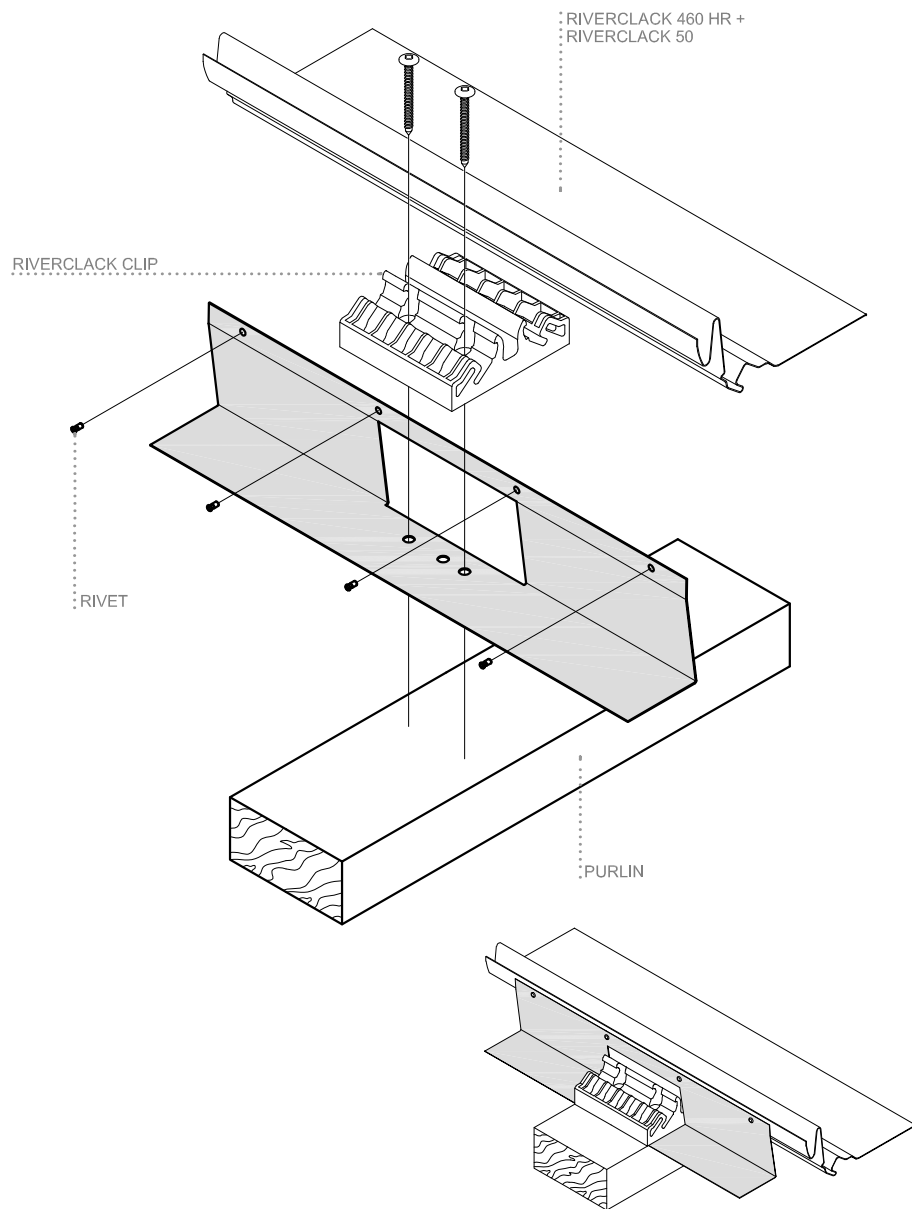
N°4 rivets 4,0 x 9 mm (stainless steel)

NOTES

- Suitable anywhere along sheet length.
- The use outside of ridge area (i.e. middle of sheet) requires movements to be accommodated at sheet end.
- For sheets longer than 30m, high snow loads, permanent loads (i.e. machinery), or tolerances in the structure that are excessively wide, use two or more RA 125. For these applications, please refer to fixed point guidelines or contact ISCOM technical office
- With two or more RA 125 on the sheet it is recommended to install on purlins placed in the same fixed point area (max separation 2m)
- The design by a competent technician is always recommended, pay special attention to loads deriving from extreme weather conditions

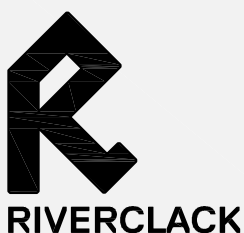
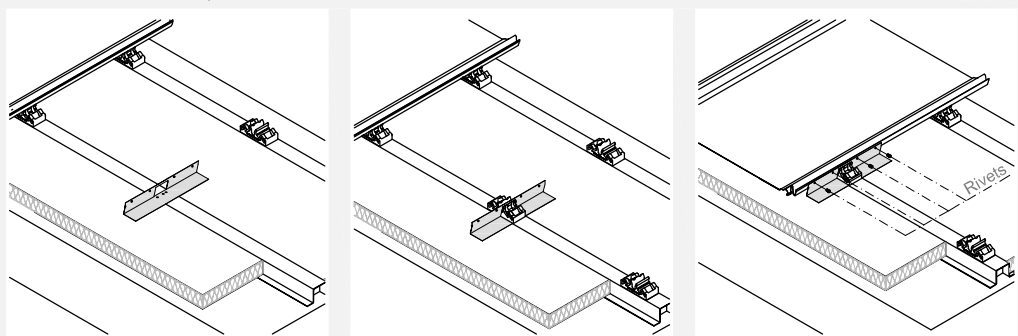
WWW.RIVERCLACK.COM

TECHNICAL SITUATION



Rev. 2_11/2020

INSTALLATION SEQUENCE



All information issued by ISCOM SPA is subject to continuous development without notification. The information contained in this data-sheet are correct at the date of issue. It is addressee's responsibility to ascertain from ISCOM SPA that the information contained in this data-sheet has not changed at the time of use by the addressee.