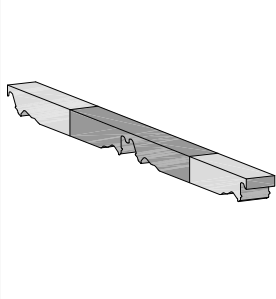


FILLER BLOCK CUSTOM DIAGONAL

RA 140_C_DIAG_500
_550
_600

Rev: 1 _JAN19

NOTES



MATERIALS

Expanded polyethylene
density 30 Kg/mc

SUITABLE FOR

Riverclack 500
Riverclack 550
Riverclack Grip 600

RELATED COMPONENTS

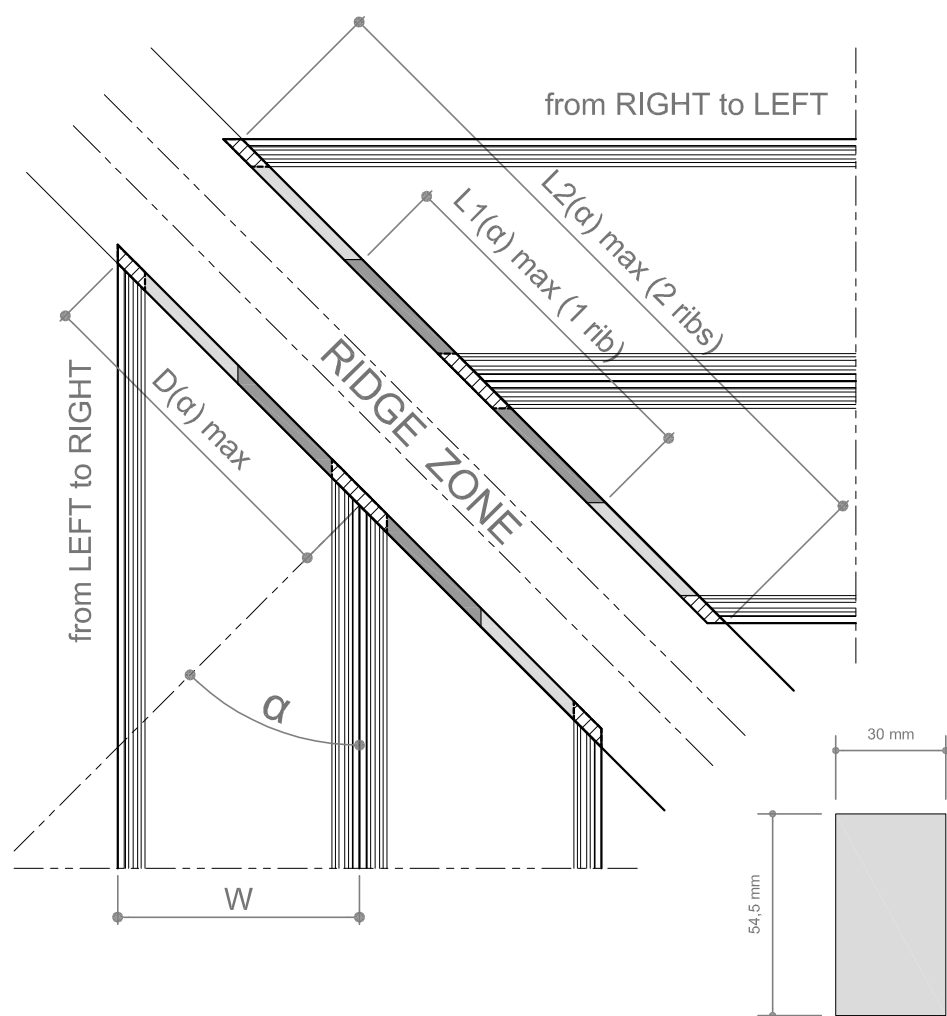
Silicone (25 ml approx. every
meter of item)

NOTES

- Left and right filler blocks are not interchangeable
- L max = 1.560 mm

WWW.RIVERCLACK.COM

TECHNICAL SITUATION

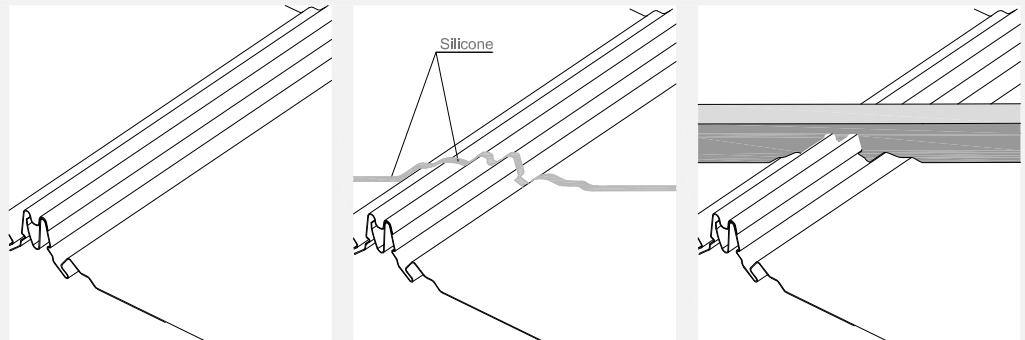


OPTIONS

System	W [mm]	α	D(α)max [mm]	L1(α)max [mm]	L2(α)max [mm]*
Riverclack 500	500	$0^\circ < \alpha < 45^\circ$	710	-	1.420
Riverclack 550	550	$0^\circ < \alpha < 45^\circ$	780	-	1.560
Riverclack Grip 600	600	$0^\circ < \alpha < 40^\circ$	780	-	1.560
		$40^\circ < \alpha < 45^\circ$	850	850	-

* In case L2(α)max > Lmax (1.560 mm), then a single rib filler must be considered

INSTALLATION SEQUENCE



R
RIVERCLACK

All information issued by ISCOM SPA is subject to continuous development without notification. The information contained in this data-sheet are correct at the date of issue. It is addressee's responsibility to ascertain from ISCOM SPA that the information contained in this data-sheet has not changed at the time of use by the addressee.