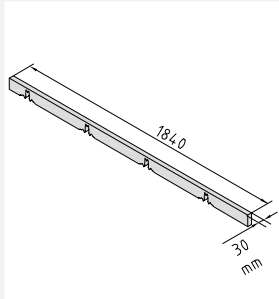


FILLER BLOCK

RIVERCLACK 460 HR +

RA 142

NOTES



MATERIALS

Expanded polyethylene

SUITABLE FOR

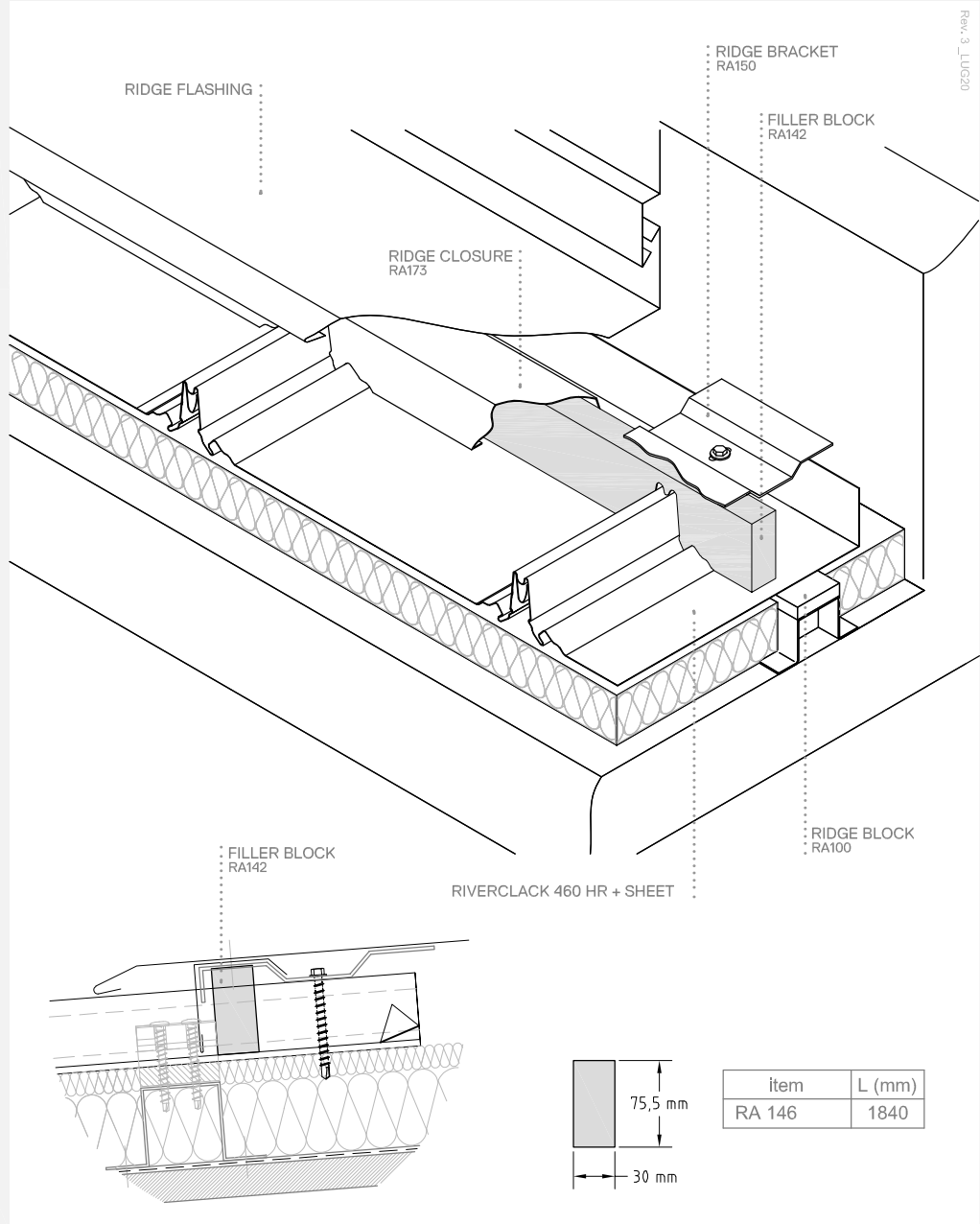
Riverclack 460 HR +

RELATED COMPONENTS

Silicone (25 ml approx. every meter of item)

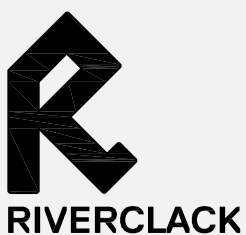
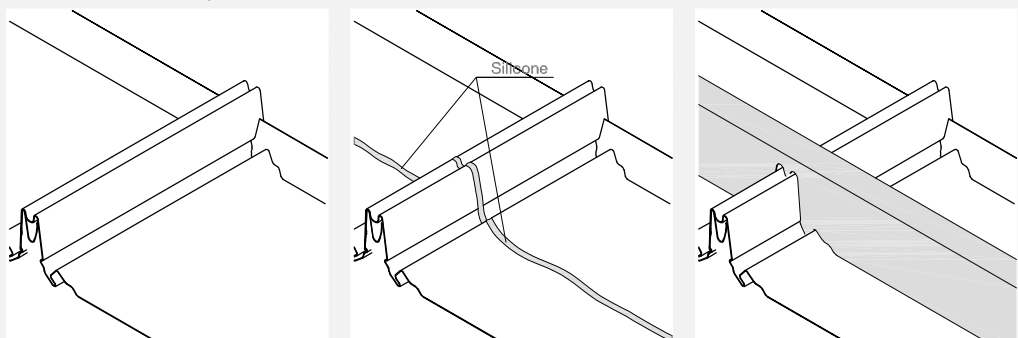
WWW.RIVERCLACK.COM

TECHNICAL SITUATION



item	L (mm)
RA 146	1840

INSTALLATION SEQUENCE



All information issued by ISCOM SPA is subject to continuous development without notification. The information contained in this data-sheet are correct at the date of issue. It is addressee's responsibility to ascertain from ISCOM SPA that the information contained in this data-sheet has not changed at the time of use by the addressee.