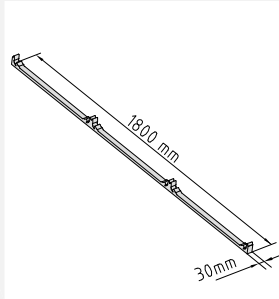


UNDER PANEL FILLER BLOCK RIVERCLACK GRIP 600

RA 146

NOTES



MATERIALS

Expanded polyethylene

SUITABLE FOR

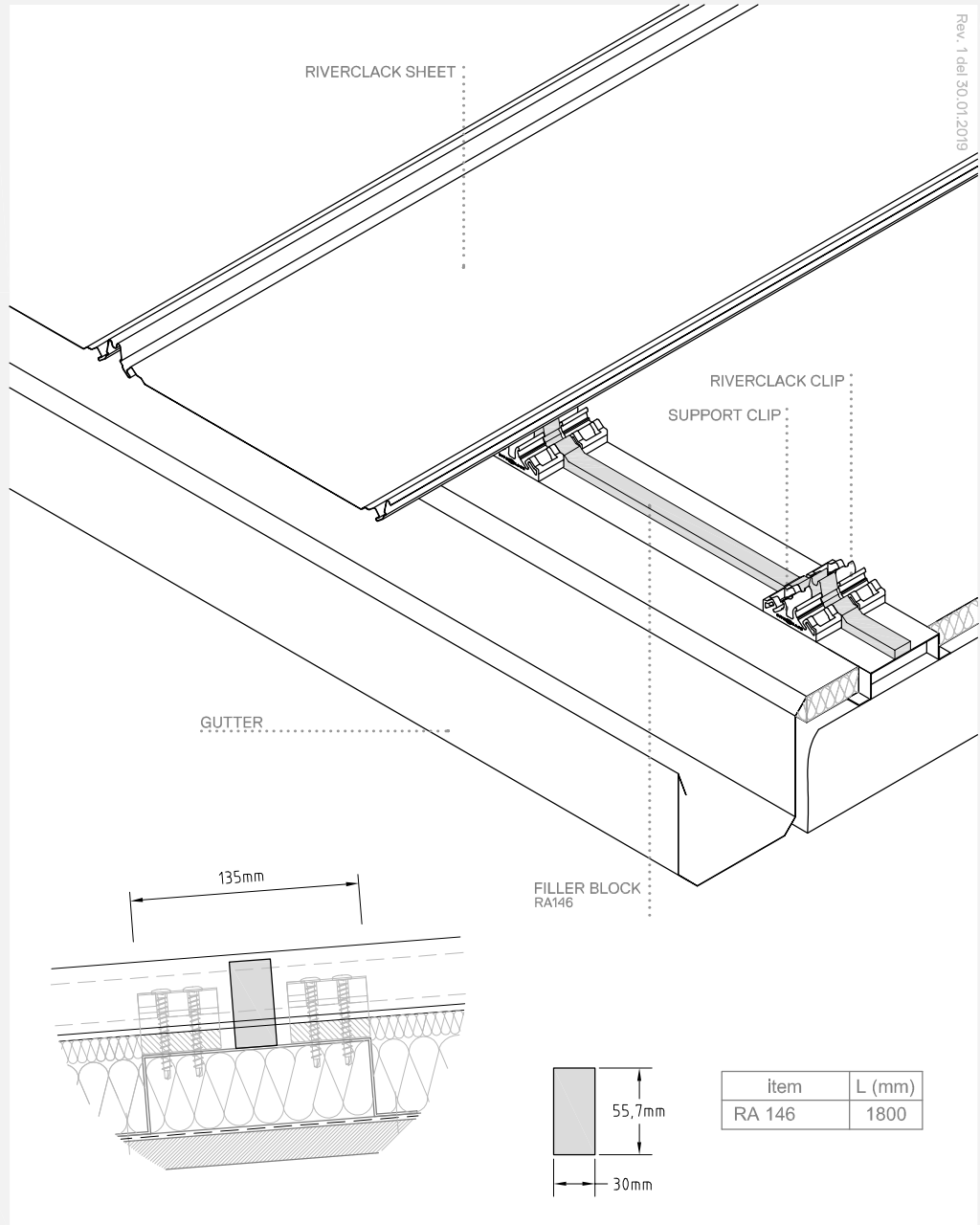
Rlverclack Grp 600

RELATED COMPONENTS

Silicone (25 ml approx. every meter of item)

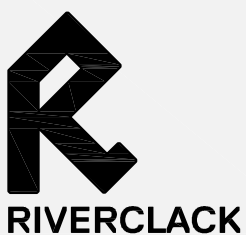
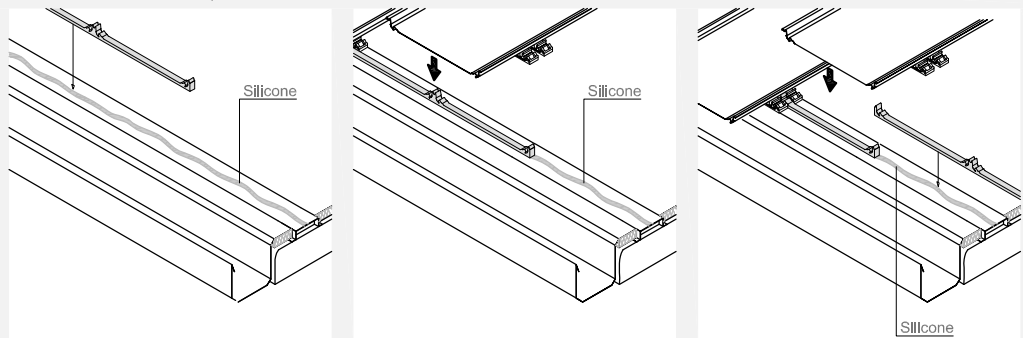
WWW.RIVERCLACK.COM

TECHNICAL SITUATION



item	L (mm)
RA 146	1800

INSTALLATION SEQUENCE



All information issued by ISCOM SPA is subject to continuous development without notification. The information contained in this data-sheet are correct at the date of issue. It is addressee's responsibility to ascertain from ISCOM SPA that the information contained in this data-sheet has not changed at the time of use by the addressee.