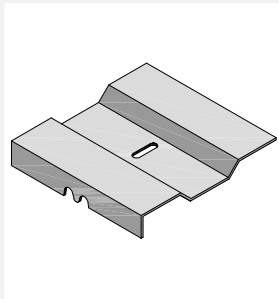


# RIDGE BRACKET

# RA 150

## NOTES



### MATERIALS

mill finish aluminum  
stainless steel AISI 304

### DIMENSIONS

155 x 14 x L.140 mm

### SUITABLE FOR

Riverclack 500  
Riverclack 550

### INCLUDED COMPONENTS

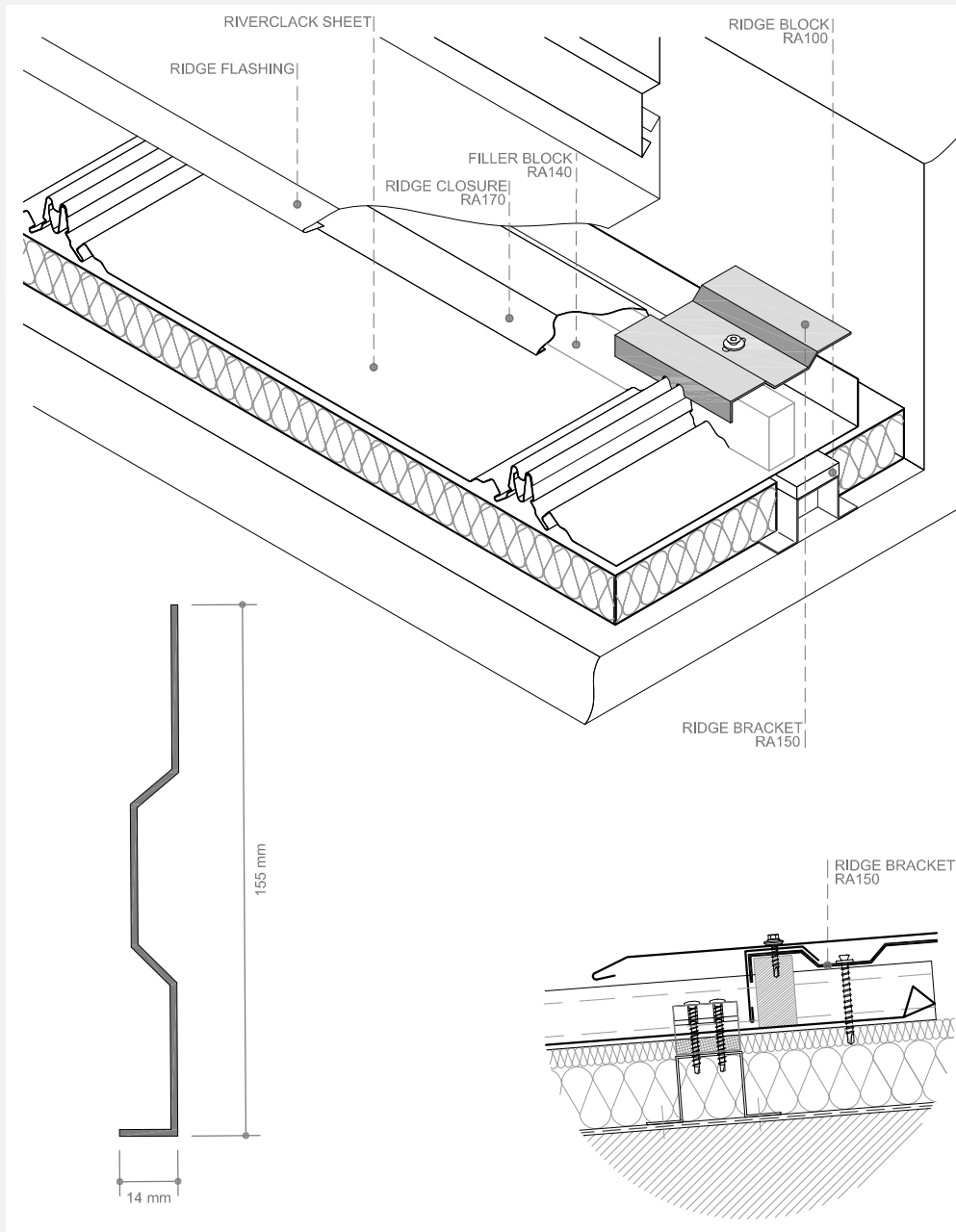
- N°1 Ø6.0x80 mm stainless steel self-drilling screw (EJOT SUPER-SAPHIR JT3-ST-2 – ø 6.0 X 80 MM)
- N°1 Ø8/24 stainless steel washer

### INSTALLATION ADVISES

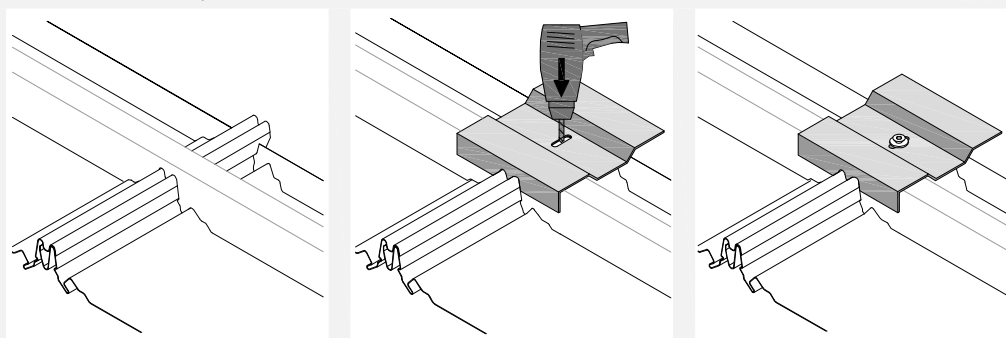

- The screw must be fastened with a torque just enough to consolidate the system
- Make a 4 mm core hole
- In case of mounting in critical climatic zones (cyclonic zones, strong winds, heavy storms, etc.) a qualified technician design to take specific loads under consideration is needed; prudential designs, with fixings to the structure, are recommended
- The design by a competent technician is always recommended, pay special attention to loads deriving from extreme weather conditions

[WWW.RIVERCLACK.COM](http://WWW.RIVERCLACK.COM)

## TECHNICAL SITUATION



## INSTALLATION SEQUENCE

**RIVERCLACK**

All information issued by ISCOM SPA is subject to continuous development without notification. The information contained in this data-sheet are correct at the date of issue. It is addressee's responsibility to ascertain from ISCOM SPA that the information contained in this data-sheet has not changed at the time of use by the addressee.