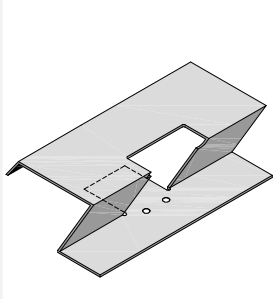


# VERGE FLASHING BRACKET

RA 160

## NOTES



### MATERIALS

mill finish aluminum

### DIMENSIONS

L. 200 mm

### SUITABLE FOR

Riverclack 500  
Riverclack 550  
Riverclack Grip 600

### OPTIONAL COMPONENTS

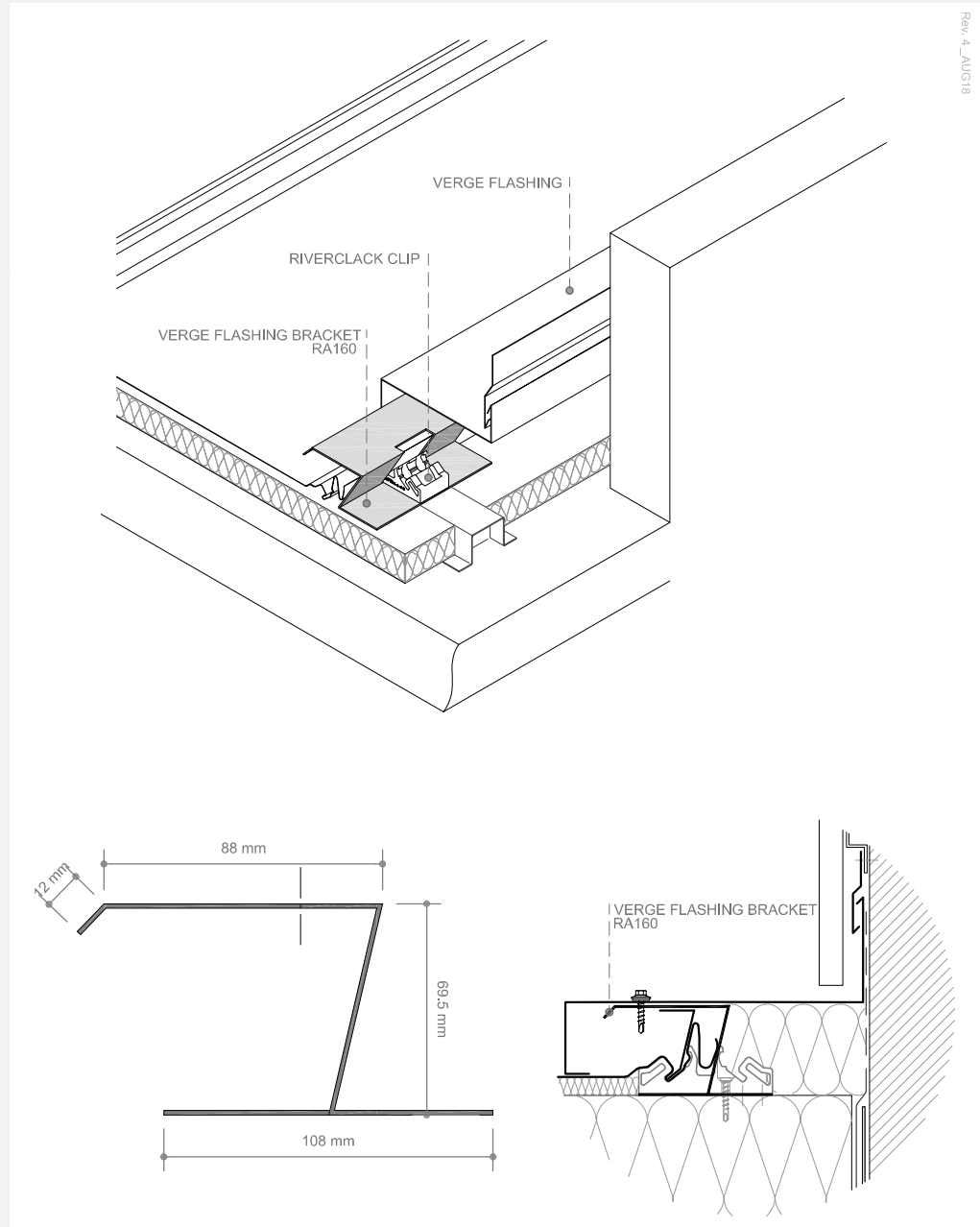
- N°1 Ø6.0x29 mm self-drilling stainless steel screw (for verge closure flashing fixing)
- N°1 Ø16 mm stainless steel washer with gasket

### NOTES

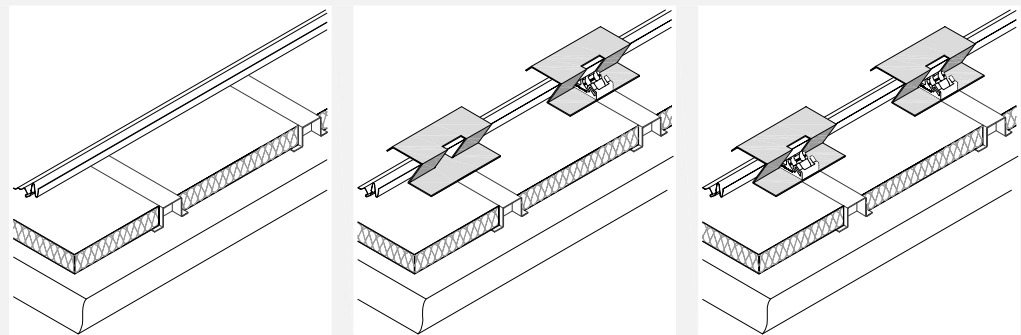
- The design by a competent technician is always recommended, pay special attention to loads deriving from extreme weather conditions

[WWW.RIVERCLACK.COM](http://WWW.RIVERCLACK.COM)

## TECHNICAL SITUATION



## INSTALLATION SEQUENCE



**R**  
**RIVERCLACK**

All information issued by ISCOM SPA is subject to continuous development without notification. The information contained in this data-sheet are correct at the date of issue. It is addressee's responsibility to ascertain from ISCOM SPA that the information contained in this data-sheet has not changed at the time of use by the addressee.