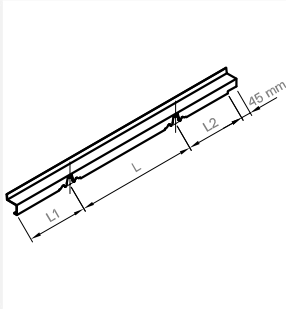


# RIDGE CLOSURE

RA 171\_550  
\_600

## NOTES



## MATERIALS

- 1 mm mill finish aluminum
- 1 mm prepainted aluminium
- 0,5 mm stainless steel
- 0,6 mm copper

## SUITABLE FOR

- Riverclack 550
- Riverclack Grip 600

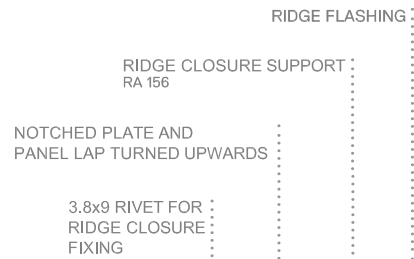
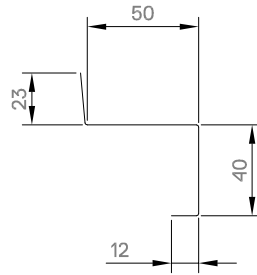
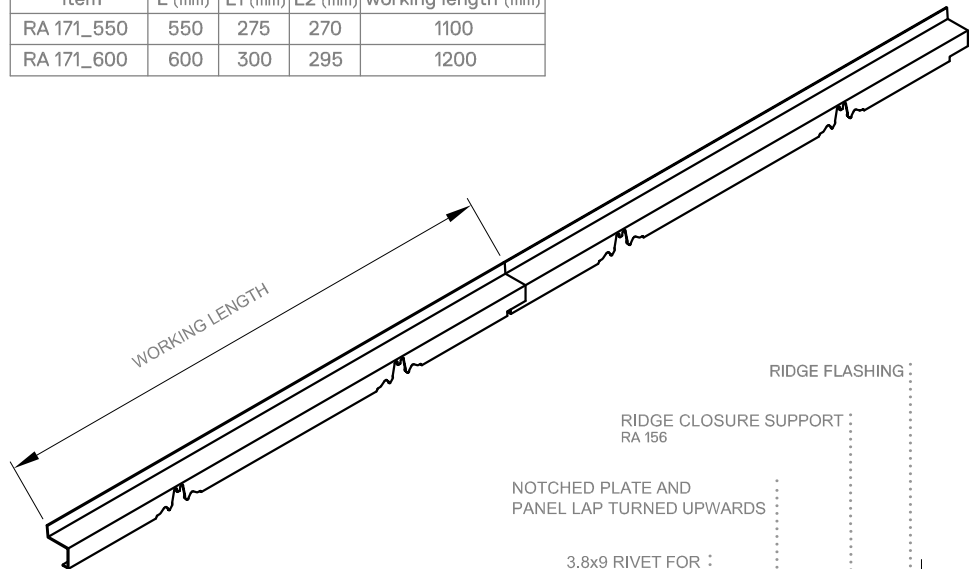
## NOTES

- The thickness of the material is at the discretion of ISCOM according to stock availability

WWW.RIVERCLACK.COM

## TECHNICAL SITUATION

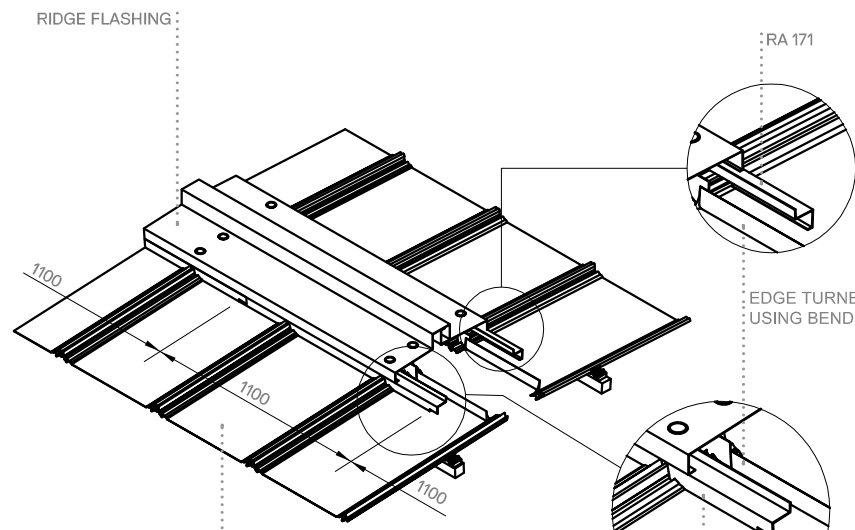
item	L (mm)	L1 (mm)	L2 (mm)	working length (mm)
RA 171_550	550	275	270	1100
RA 171_600	600	300	295	1200



3.8x9 RIVET FOR  
RIDGE CLOSURE  
FIXING

RIVERCLACK 550 PROFILE

RA 171



RIDGE FLASHING

RA 171

EDGE TURNED UP BY  
USING BENDING TOOL

RIVERCLACK PROFILE

RA 171

Rev. 1 del 26.09.2014