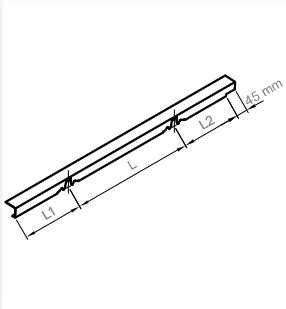


RIDGE CLOSURE WITHOUT FLANGE

RA 172_550
_600

NOTES



MATERIALS

- 1 mm mill finish aluminum
- 1 mm prepainted aluminum
- 0,5 mm stainless steel
- 0,6 mm copper

SUITABLE FOR

- Riverclack 550
- Riverclack Grip 600

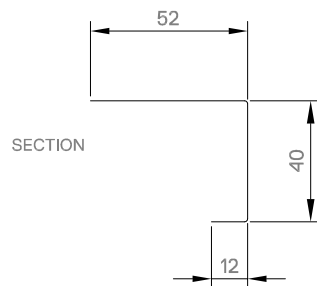
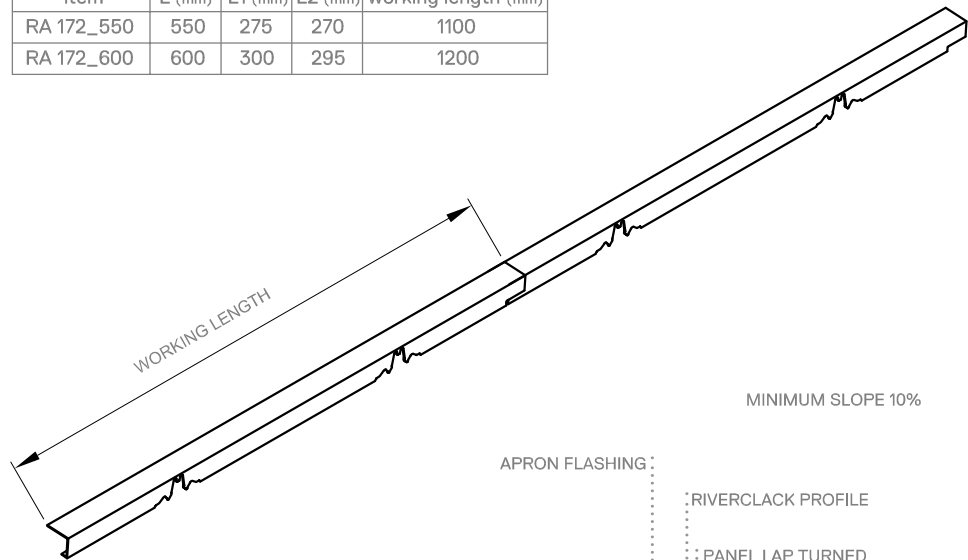
NOTES

- Minimum slope 10%
- The thickness of the material is at the discretion of ISCOM according to stock availability

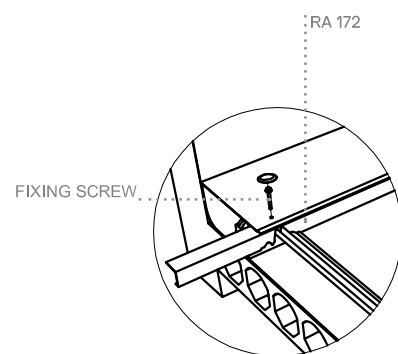
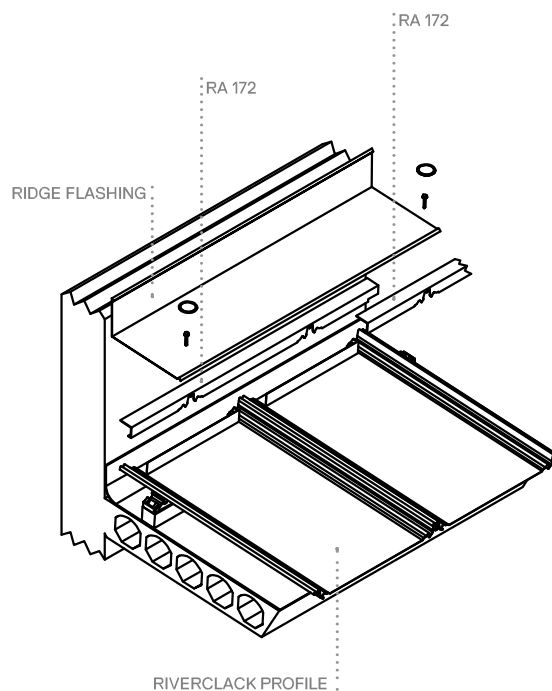
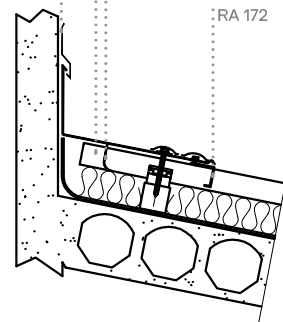
WWW.RIVERCLACK.COM

TECHNICAL SITUATION

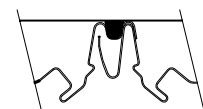
item	L (mm)	L1 (mm)	L2 (mm)	working length (mm)
RA 172_550	550	275	270	1100
RA 172_600	600	300	295	1200



APRON FLASHING
RIVERCLACK PROFILE
PANEL LAP TURNED UPWARDS



NB: fill the profile overlap by using silicone downstream from the fixing screws holes.



Rev. 1 del 26.09.2014