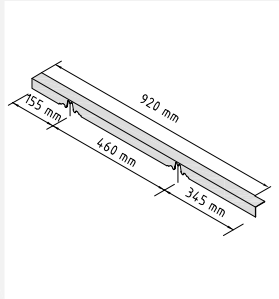


# RIDGE CLOSURE RIVERCLACK 460 HR +

## RA 173

### NOTES



### MATERIALS

- 1 mm mill finish aluminum
- 1 mm prepainted aluminum
- 0.5 mm stainless steel
- 0.5 mm galvanized steel
- 0.6 mm copper
- 0.8 mm titanium-Zinc

### SUITABLE FOR

Riverclack 460 HR +

### OPTIONAL COMPONENTS

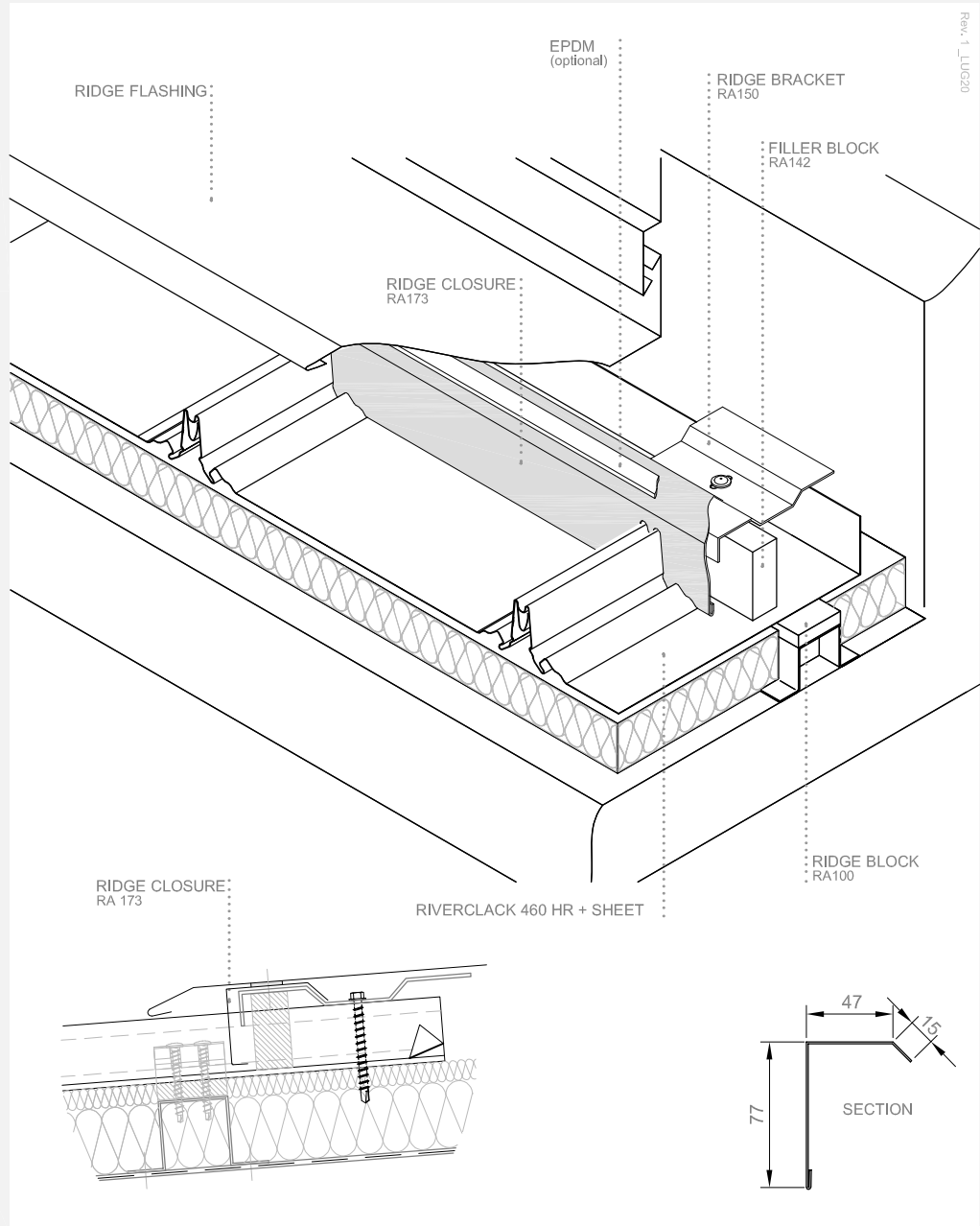
- EPDM (adhesive) rubber band

### NOTES

- The thickness of the material is at the discretion of ISCOM according to stock availability

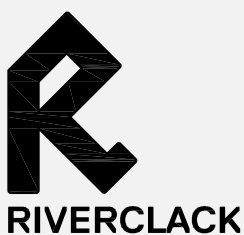
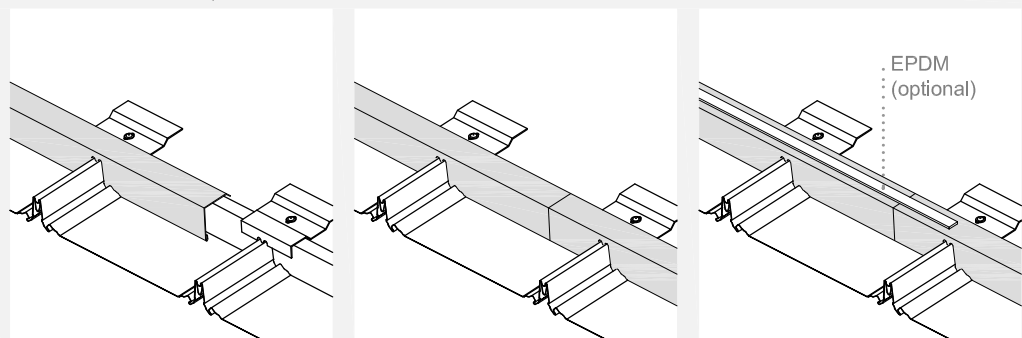
[WWW.RIVERCLACK.COM](http://WWW.RIVERCLACK.COM)

### TECHNICAL SITUATION



Rev. 1 - LUG20

### INSTALLATION SEQUENCE



All information issued by ISCOM SPA is subject to continuous development without notification. The information contained in this data-sheet are correct at the date of issue. It is addressee's responsibility to ascertain from ISCOM SPA that the information contained in this data-sheet has not changed at the time of use by the addressee.