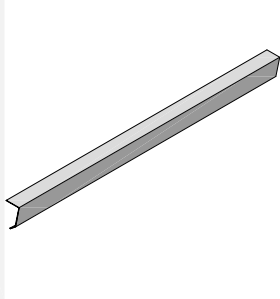


SIDE CLOSURE

RA 175

NOTES



MATERIALS

mill finish aluminum
pre-painted aluminum
copper
stainless steel
galvanized steel
zinc

DIMENSIONS

L. 1000 mm

SUITABLE FOR

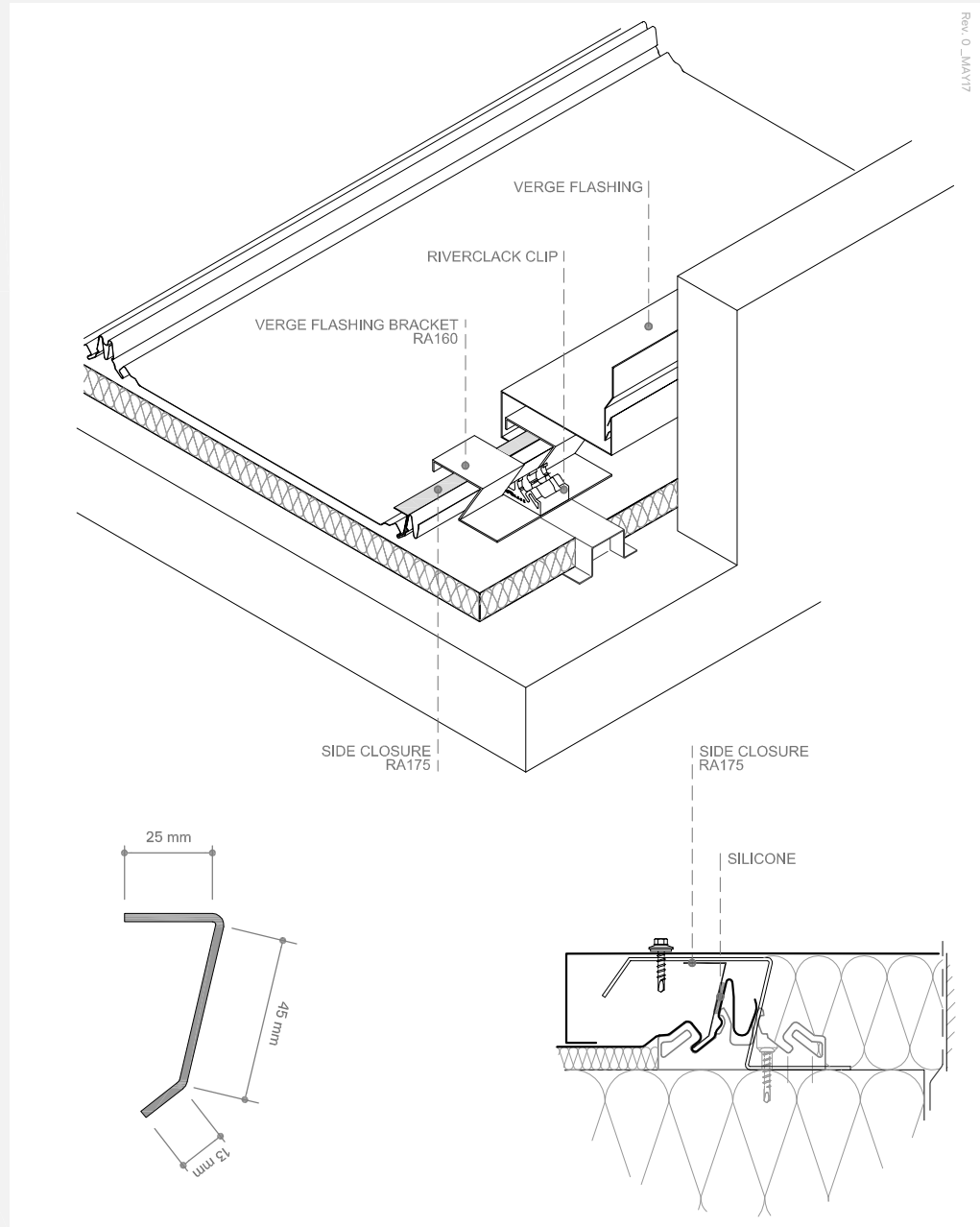
Riverclack 500
Riverclack 550
Riverclack Grip 600

RELATED COMPONENTS

Silicone (25 ml approx. every meter of item)

WWW.RIVERCLACK.COM

TECHNICAL SITUATION



INSTALLATION SEQUENCE

