

# STIFFENING PROFILE

RA 181\_500  
\_550  
\_600

## NOTES



### MATERIALS

mill finish aluminum  
pre-painted aluminum  
copper  
stainless steel  
galvanized steel  
zinc

### SUITABLE FOR

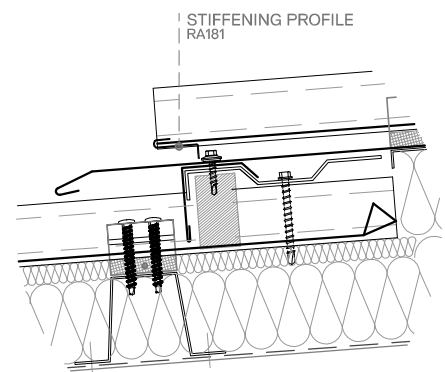
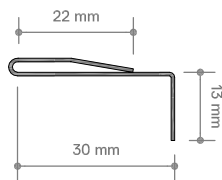
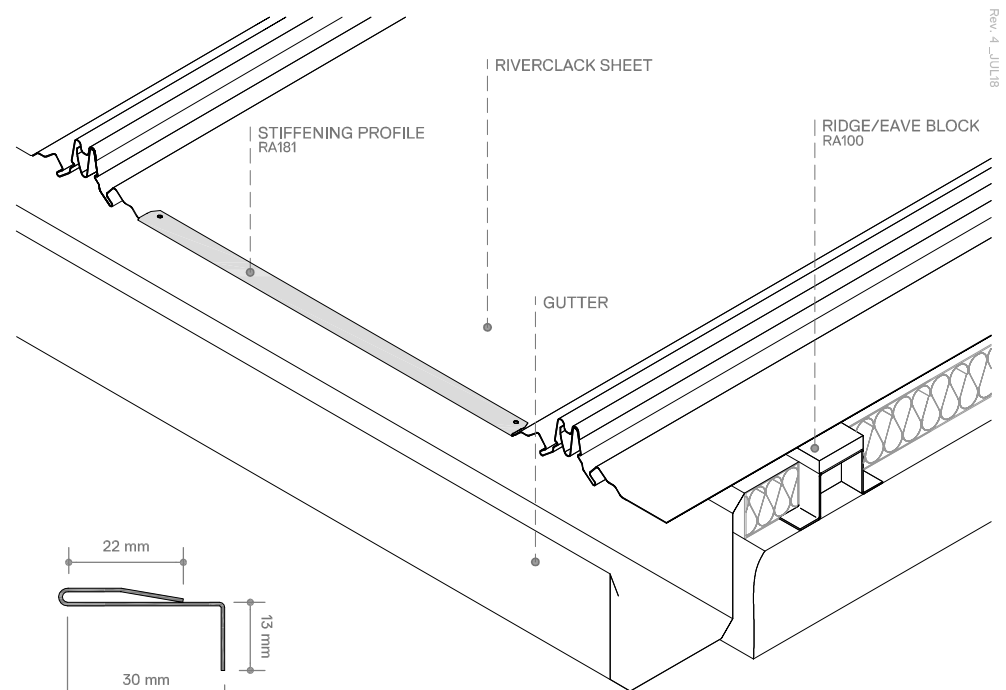
Riverclack 500  
Riverclack 550  
Riverclack Grip 600

### INCLUDED COMPONENTS

N°2 Ø3.8x9 mm rivet in the proper material

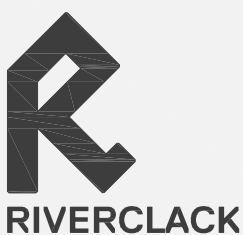
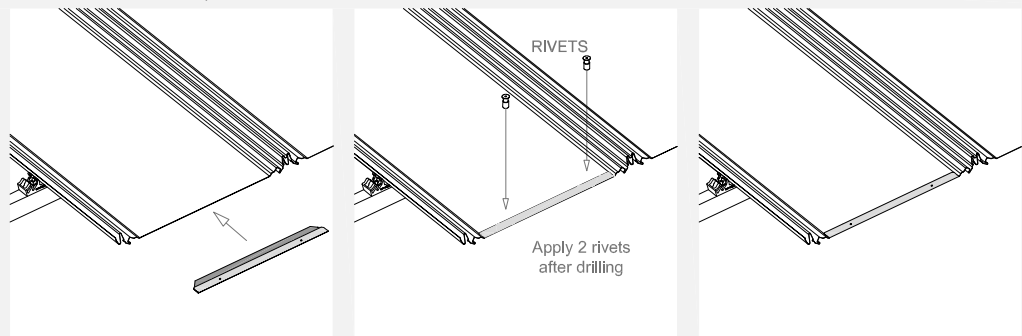
[WWW.RIVERCLACK.COM](http://WWW.RIVERCLACK.COM)

## TECHNICAL SITUATION



Item	L (mm)
RA 181_500	378
RA 181_550	428
RA 181_600	478
RA 181_C	LMAX. 3.000

## INSTALLATION SEQUENCE



All information issued by ISCOM SPA is subject to continuous development without notification. The information contained in this data-sheet are correct at the date of issue. It is addressee's responsibility to ascertain from ISCOM SPA that the information contained in this data-sheet has not changed at the time of use by the addressee.