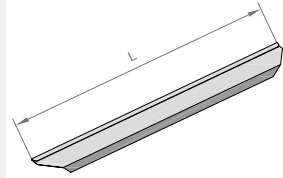


# STIFFENING PROFILE REDUCED

RA 182\_500  
\_550  
\_600

## NOTES



### MATERIALS

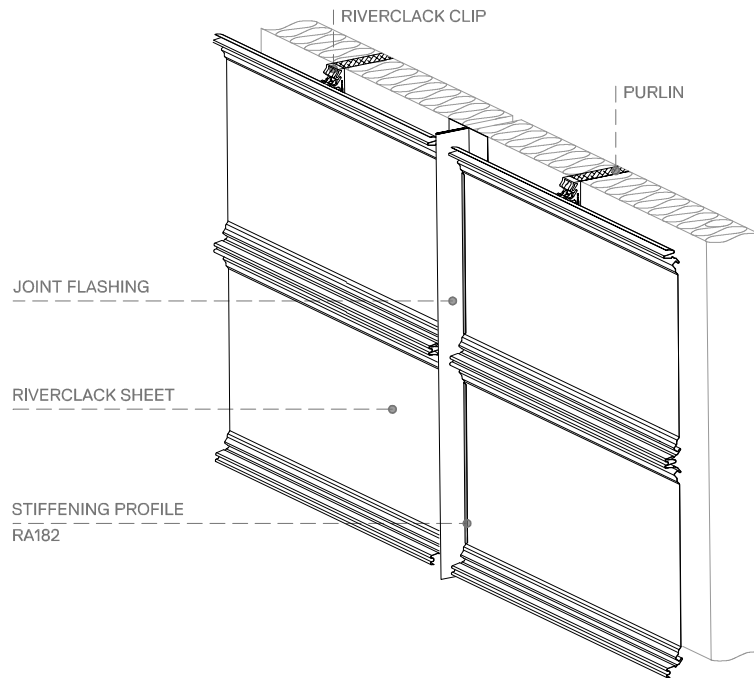
mill finish aluminum  
pre-painted aluminum  
copper  
stainless steel  
galvanized steel  
zinc

### SUITABLE FOR

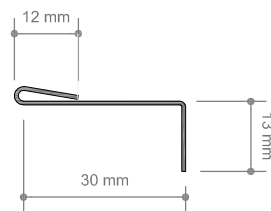
Riverclack 500  
Riverclack 550  
Riverclack Grip 600

[WWW.RIVERCLACK.COM](http://WWW.RIVERCLACK.COM)

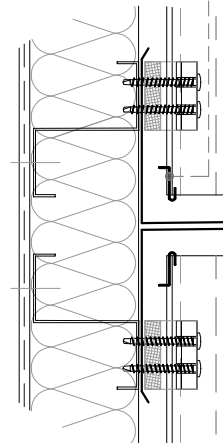
## TECHNICAL SITUATION



Rev. 3 - JUL18



STIFFENING PROFILE  
RA182



item	L (mm)
RA 182_500	378
RA 182_550	428
RA 182_600	478
RA 182_C	LMAX. 3.000

## INSTALLATION SEQUENCE

