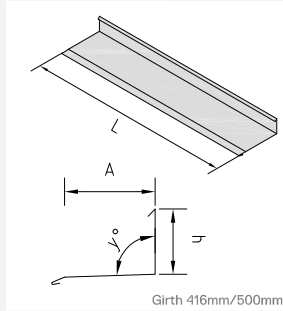


RIDGE FLASHING MONO PITCH RIDGE

RA 185_500
_550
_600

NOTES



MATERIALS

- 1 mm mill finish aluminum
- 1 mm prepainted aluminum
- 0.6 mm stainless steel
- 0.6 mm galvanized steel
- 0.6 mm copper
- 0.8 mm titanium-Zinc

SUITABLE FOR

- Riverclack 500
- Riverclack 550
- Riverclack Grip 600

RELATED COMPONENTS

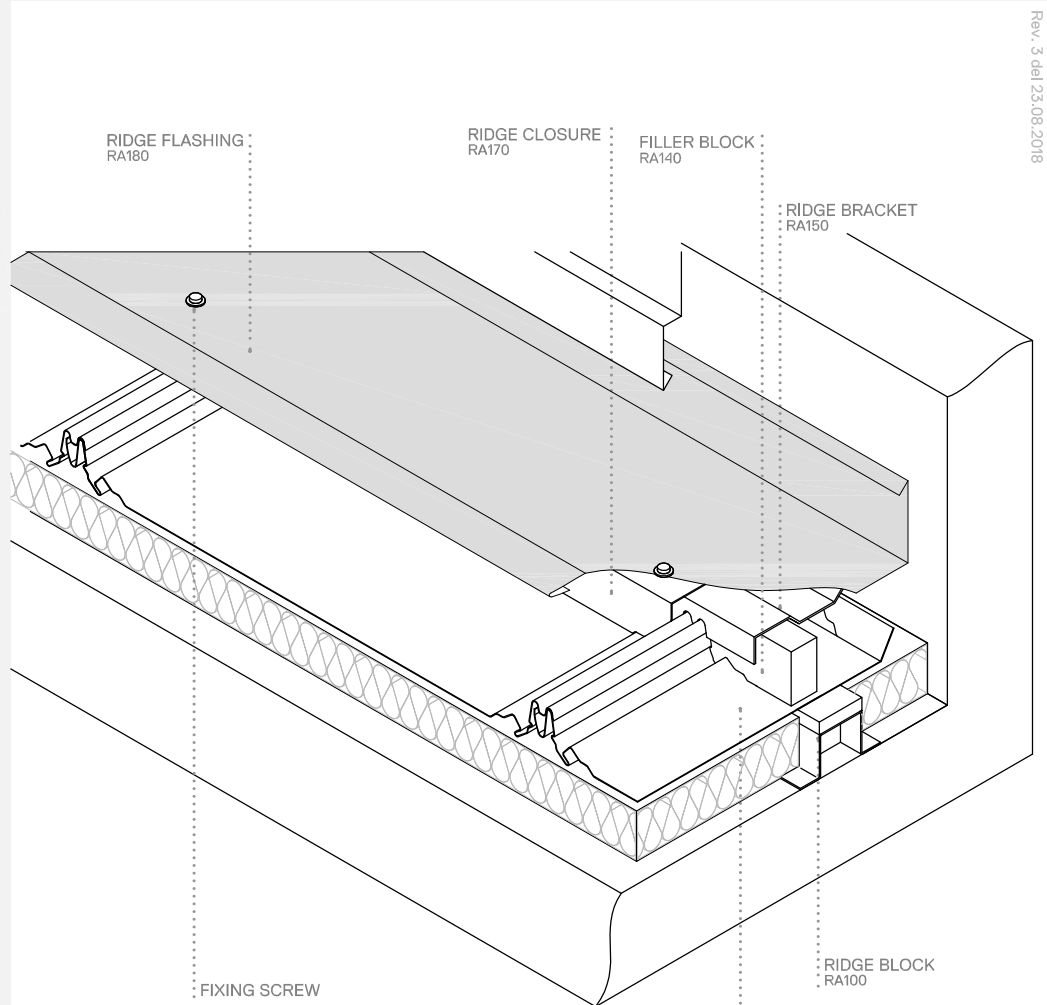
- N°1 6x29 stainless steel, hexagon profile self-drilling screw
- N°1 Ø16 INOX washer, with gasket
- Silicone

NOTES

- Item suitable for 6 panels
- Flashing overlap 200mm
- Make two silicone strips in the overlap zone
- When ordering, specify γ° degree and the width A
- In case of mounting in critical climatic zones (cyclonic zones, strong winds, heavy storms, etc.) a qualified technician design to take specific loads under consideration is needed; prudential designs, with fixings to the structure, are recommended

WWW.RIVERCLACK.COM

TECHNICAL SITUATION

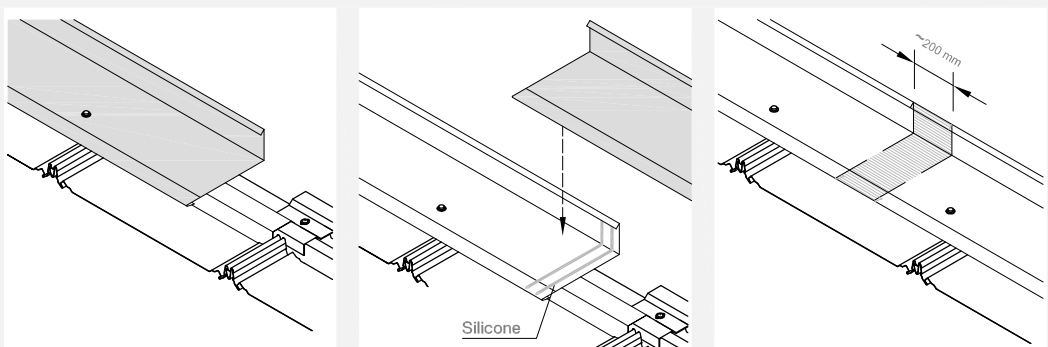


Rev. 3 del 23.08.2018

item	L (mm)
RA 185_500	3200
RA 185_550	3500
RA 185_600	3800

	A (mm)	h (mm)
girth 416	225	154
girth 500	287	176

INSTALLATION SEQUENCE



R
RIVERCLACK