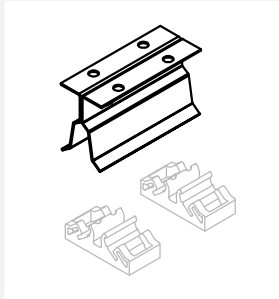


SUPPORT CLAMP

RA 202

NOTES



MATERIALS

AISI 304 stainless steel

SUITABLE FOR

Riverclack 500
Riverclack 550
Riverclack Grip 600

INCLUDED COMPONENTS

- N°2 M8x20 hexagon profile stainless steel screw bolts
- N°2 hexagon profile stainless steel self locking nuts
- N°4 8/24 stainless steel washers

RELATED COMPONENTS

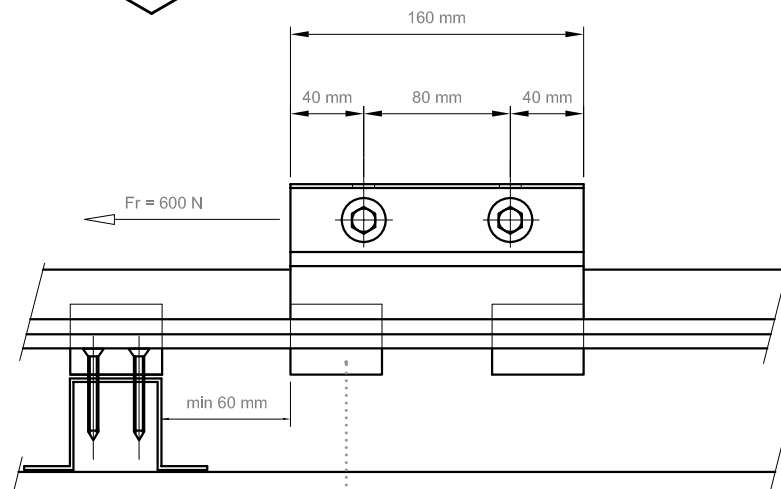
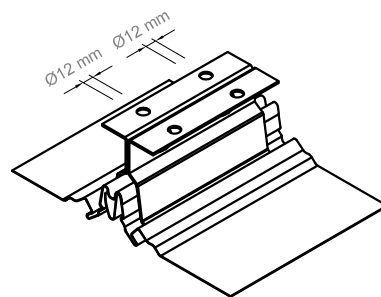
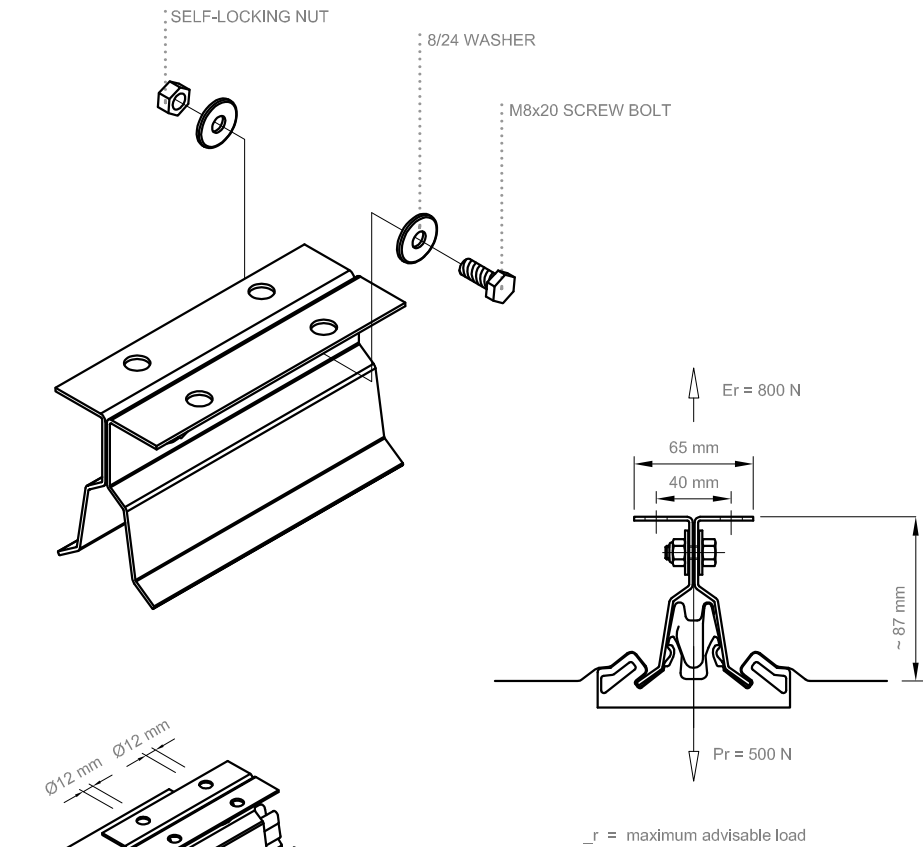
- N°2 polyamide clips

NOTES

- Related polyamide clips are not to be fixed to the purlins
- Keep the related polyamide clip at least 60 mm away from any fixing clip
- Don't mount on the protrudent end zones of the panel
- The design by a competent technician is always recommended, pay special attention to loads deriving from extreme weather conditions

WWW.RIVERCLACK.COM

TECHNICAL SITUATION



Install n°2 polyamide clips which must be free to follow the thermal movement of the profile

Rev. 3 del 29/11/2017

