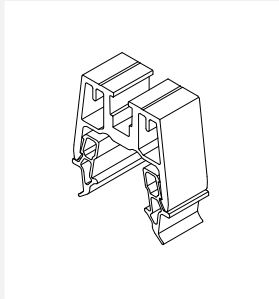


NOTES



MATERIALS

Aluminium

SUITABLE FOR

Riverclack 500
 Riverclack 550
 Riverclack Grip 600

INCLUDED COMPONENTS

- N°2 uprights
- N°1 crown

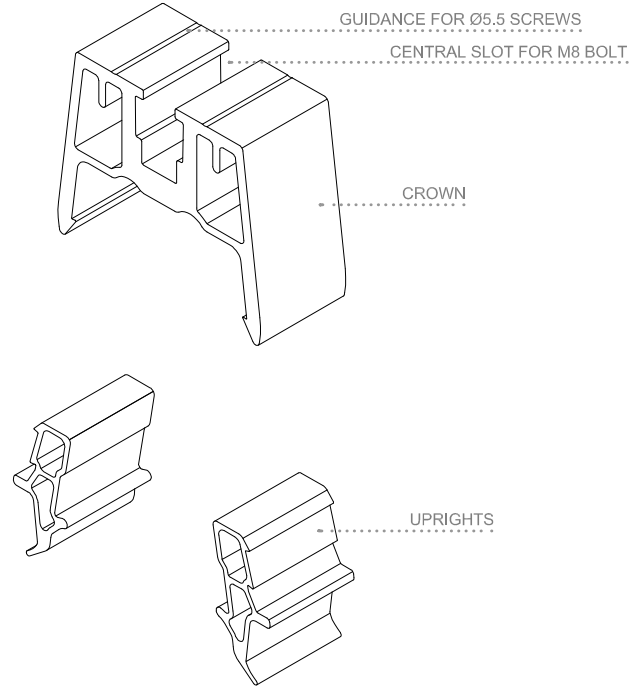
NOTES

- To be installed on aluminum Riverclack panels 0,7 mm and 0,8 mm in thickness, produced from 2005; for different applications contact ISCOM
- In the central slot of the crown a M8 screw bolt can be inserted
- On the two sides of the crown surface items can be fixed with Ø5.5 stainless steel self drilling screws using the groove as guidance
- Don't mount on the protrudent end zones of the panel
- The design by a competent technician is always recommended, pay special attention to loads deriving from extreme weather conditions

WWW.RIVERCLACK.COM

TECHNICAL SITUATION

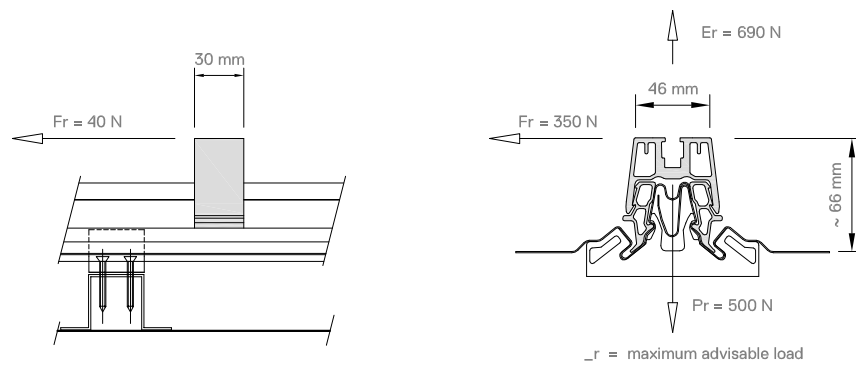
EXPLODED VIEW



Rev. 2 del 04/09/2019

ADMISSIBLE LOADS

A load factor = 3 has been taken into account in the design capacity of the clamp.



INSTALLATION SEQUENCE

