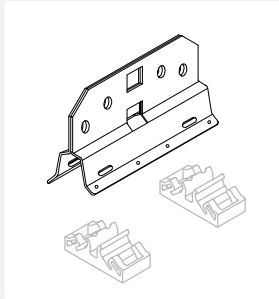


# SNOW GUARD CLAMP

# RA 211

## NOTES



### MATERIALS

AISI 304 stainless steel

### SUITABLE FOR

Riverclack 500  
Riverclack 550

### INCLUDED COMPONENTS

- N°4 M8x20 hexagon profile stainless steel screw bolts
- N°4 hexagon profile stainless steel self locking nuts
- N°8 8/24 stainless steel washers

### RELATED COMPONENTS

- N°2 polyamide clips

### OPTIONAL COMPONENTS

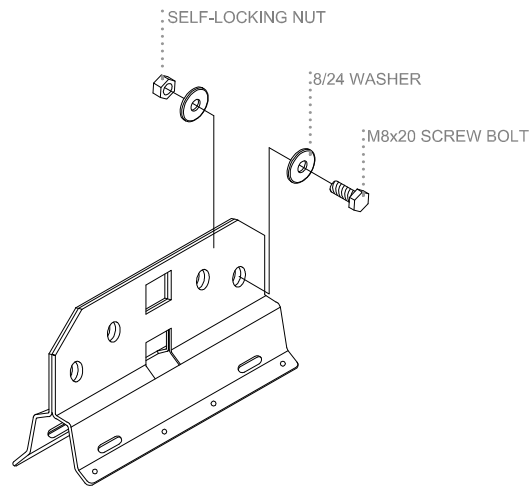
- Snow guard bar
- Snow guard tongue RA 216

### NOTES

- Related polyamide clips are not to be fixed to the purlins
- Keep the related polyamide clip at least 150 mm away from any fixing clip
- Don't mount on the protrudent end zones of the panel
- The design by a competent technician is always recommended, pay special attention to loads deriving from extreme weather conditions

[WWW.RIVERCLACK.COM](http://WWW.RIVERCLACK.COM)

## TECHNICAL SITUATION



Rev. 3 del 29/11/2017

