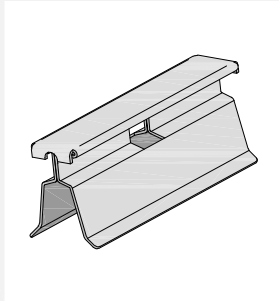


SNOW GUARD CLAMP

RIVERCLACK 460 HR + / RIVERCLACK 50 HR

RA 213

NOTES



MATERIALS

Clamp:
Stainless steel AISI 304
Clamp-closure:
Mill finish aluminum
Pre-painted aluminum

SUITABLE FOR

Riverclack 460 HR +
Riverclack 50 HR

INCLUDED COMPONENTS

- VHB 3M bi-adhesive

OPTIONAL COMPONENTS

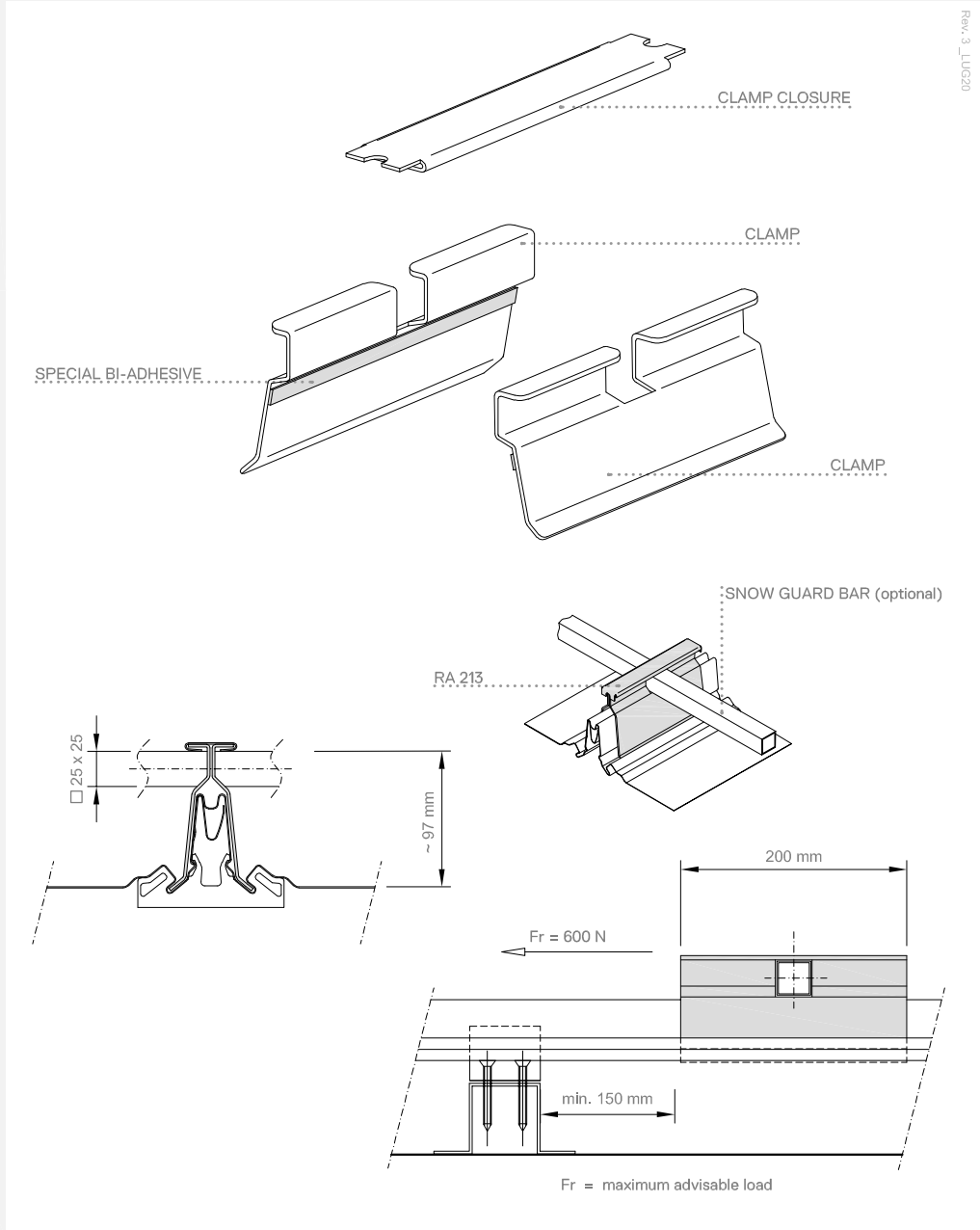
- Snow guard bar
- Snow guard tongue RA ?
- Proper solvent

NOTES

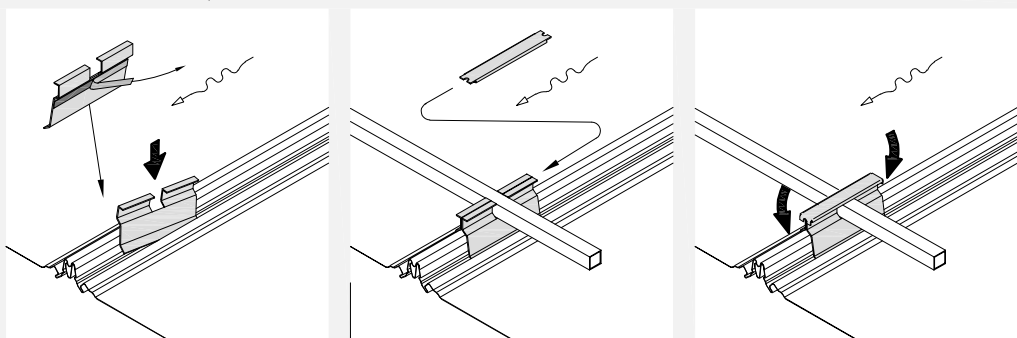
- Clean the item mounting zone on the panel from dirt and debris, degrease the panel rib sides with proper solvents (eg. a 50/50 mixture of water and isopropyl alcohol or n-heptane)
- The mounting of the item is not recommended when sheet temperature is less than 10 °C
- The max adhesion strength is reached after about 72 hours after the mounting
- Make sure there is no condensation on the sheets surface before item mounting
- When mounting keep the item at least 150 mm away from any fixing clip
- An immediate mounting of the item is recommended; in case of storage avoid exposure to direct sunlight and weather
- Don't mount on the protrudent end zones of the panel.

WWW.RIVERCLACK.COM

TECHNICAL SITUATION



INSTALLATION SEQUENCE



R
RIVERCLACK