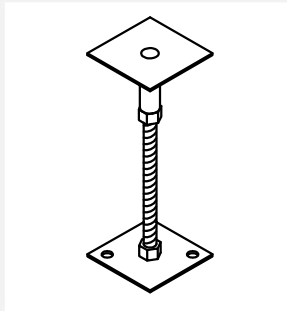


# ADJUSTABLE SUPPORT

# RA 500

## NOTES



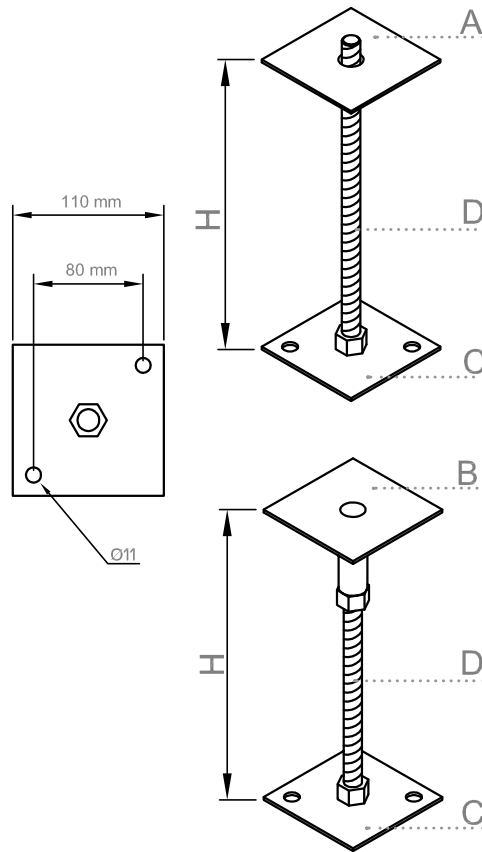
**MATERIALS**  
Galvanized steel

**SUITABLE FOR**  
Riverclack 500  
Riverclack 550  
Riverclack Grip 600

**NOTES**  
- The application of the item requires the design in accordance with the specifications of the work

[WWW.RIVERCLACK.COM](http://WWW.RIVERCLACK.COM)

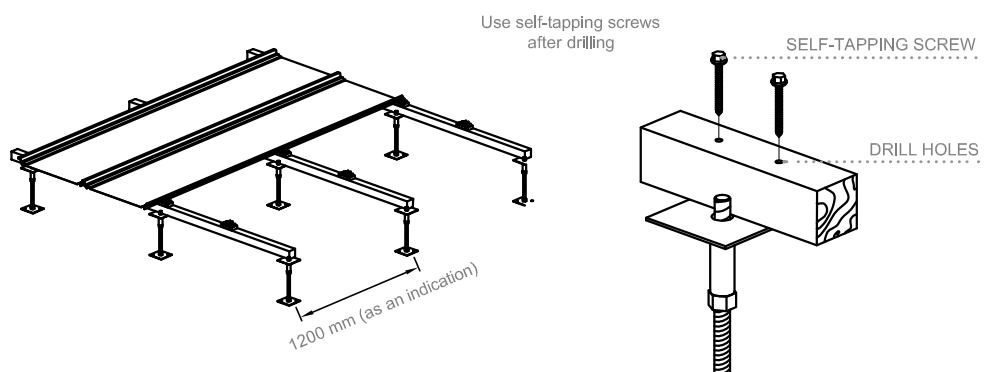
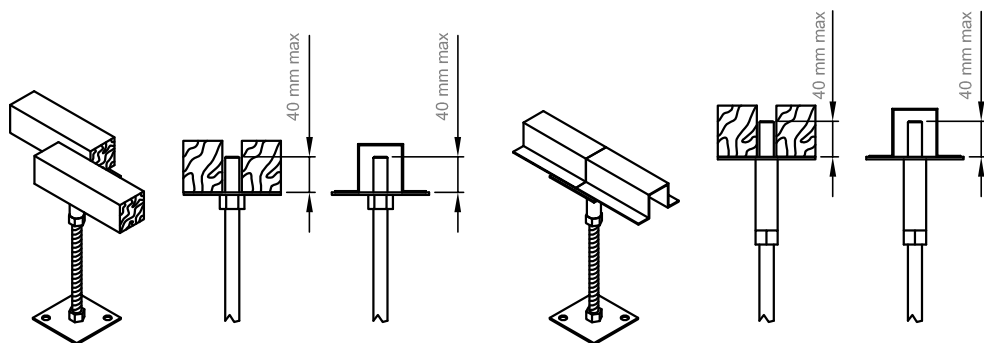
## TECHNICAL SITUATION



Filleted bar use limits			
H max	H min*	M16 bar length	COD.
mm	mm	mm	(D)
115	70	109	D1
145	100	140	D2
165	120	160	D3
200	155	195	D4
250	205	245	D5
335	290	330	D6
400	355	395	D7
435	390	430	D8
500	455	495	D9

Filleted bar use limits			
H max	H min*	M16 bar length	COD.
mm	mm	mm	(D)
195	122	109	D1
225	122	140	D2
245	122	160	D3
280	155	195	D4
330	205	245	D5
415	290	330	D6
480	355	395	D7
515	390	430	D8
580	455	495	D9

\* H min consider the bar to come out about 40 mm through the higher plate.



Rev. 1 del 26.09.2014