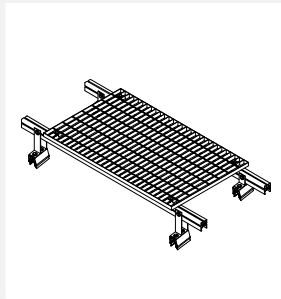


# RCW SLOPED 0-10° WALKWAY

## NOTES



### MATERIALS

Galvanized Steel or Aluminum  
Grating  
Aluminum Support

### SUITABLE FOR

Riverclack 500  
Riverclack 550  
Riverclack Grip 600

### RELATED COMPONENTS

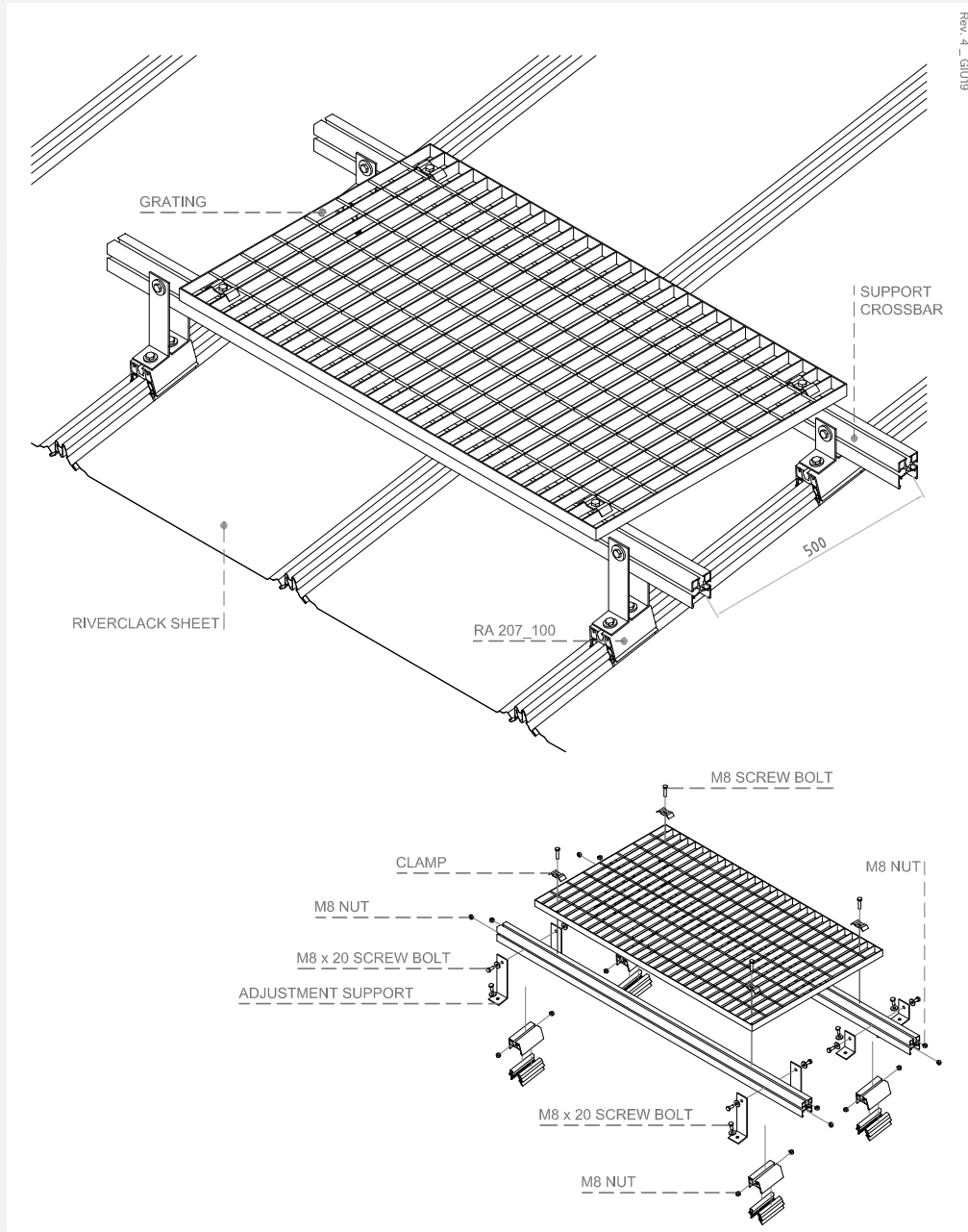
- Galvanized Steel or Aluminum Grating maximum width 650 mm
- Grating fixing Clamps
- RA 207\_100 support clamps
- Support crossbar
- Adjustment supports
- Stainless Steel Screw bolts, nuts, washers

### NOTES

- For slope  $\leq 10^\circ$
- Components from the technical design
- Installation perpendicular to the sheets
- Maximum span between the platform supports 0,5 m
- Maximum span between the walkway supports 1,2 m
- Mind thermal expansions during the design and the Installation phase
- Define the Grating material in the quotation phase

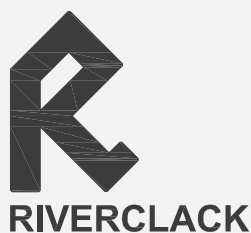
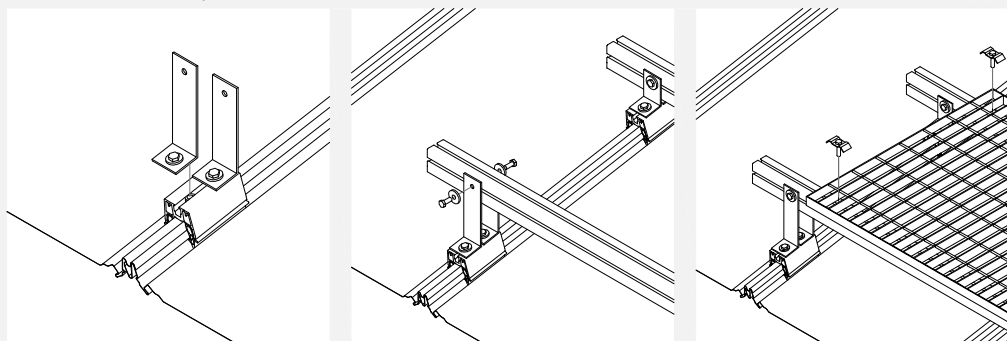
[WWW.RIVERCLACK.COM](http://WWW.RIVERCLACK.COM)

## TECHNICAL SITUATION



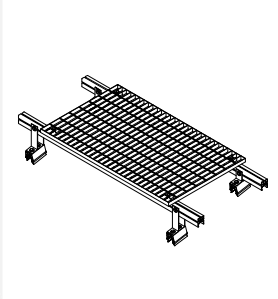
Rev. 4 - GIUR9

## INSTALLATION SEQUENCE



# RCW SLOPED 0-20° WALKWAY

**NOTES**



**MATERIALS**

Galvanized Steel or Aluminum  
Grating  
Aluminum Support

**SUITABLE FOR**

Riverclack 500  
Riverclack 550  
Riverclack Grip 600

**RELATED COMPONENTS**

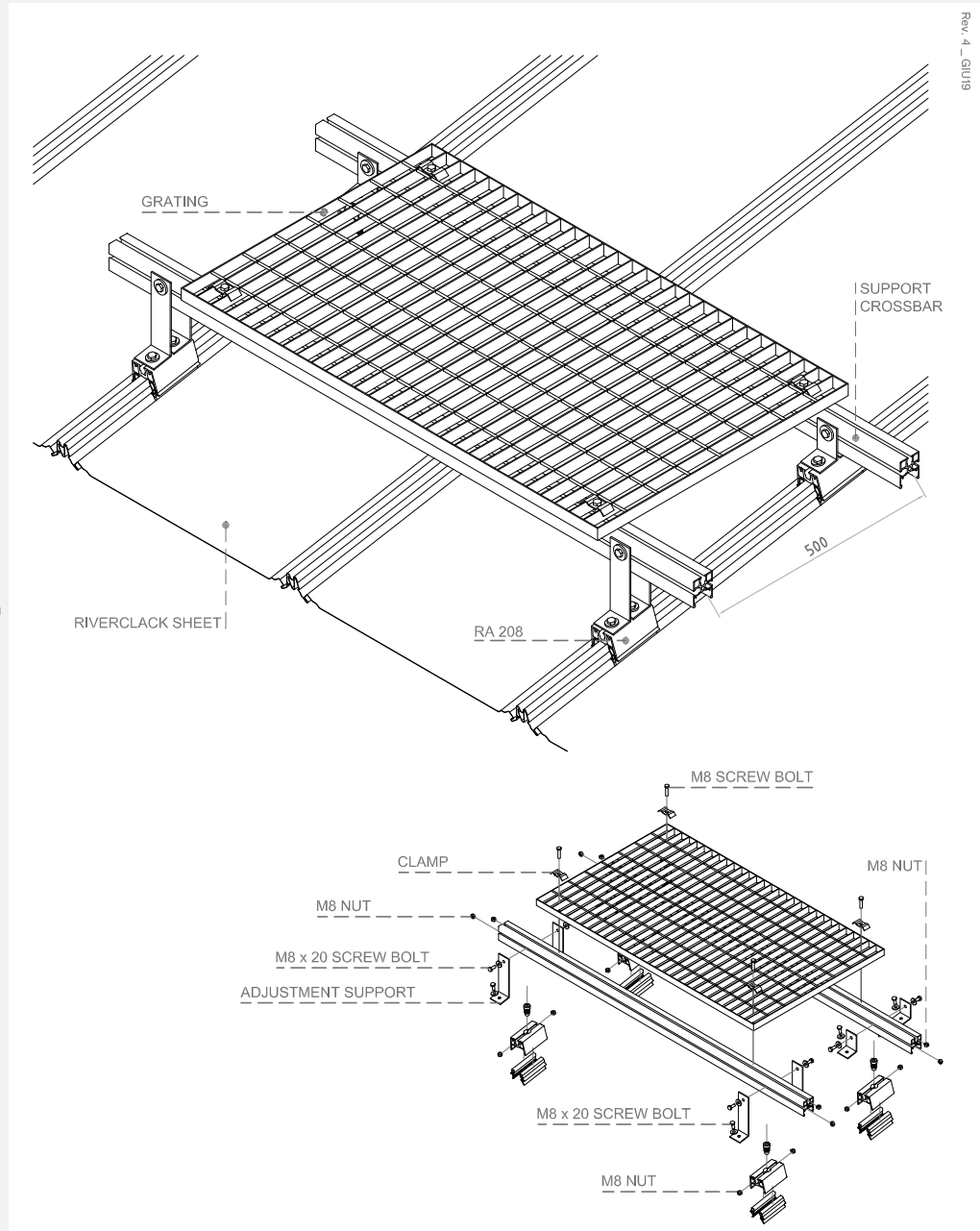
- Galvanized Steel or Aluminum Grating maximum width 650 mm
- Grating fixing Clamps
- RA 208 support clamps
- Support crossbar
- Adjustment supports
- Stainless Steel Screw bolts, nuts, washers

**NOTES**

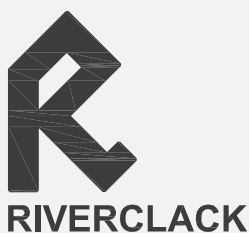
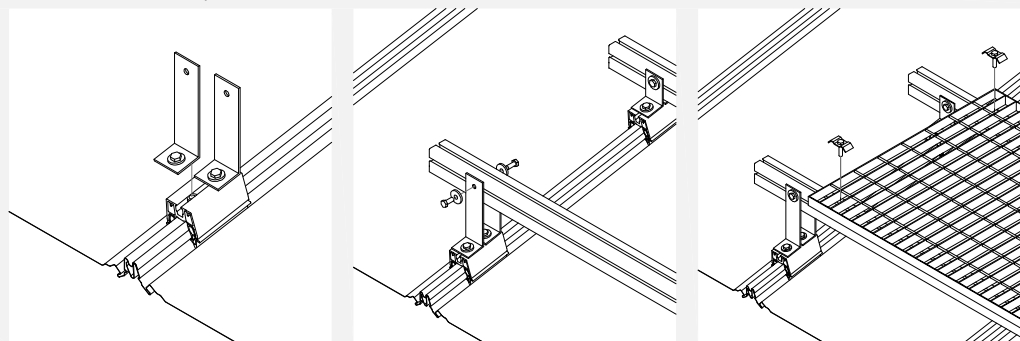
- For slope  $\leq 20^\circ$
- Components from the technical design
- Installation perpendicular to the sheets
- Maximum span between the platform supports 0,5 m
- Maximum span between the walkway supports 1,2 m
- Mind thermal expansions during the design and the Installation phase
- Define the Grating material in the quotation phase

[WWW.RIVERCLACK.COM](http://WWW.RIVERCLACK.COM)

**TECHNICAL SITUATION**

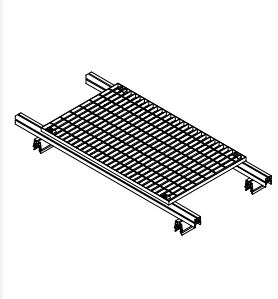


**INSTALLATION SEQUENCE**



All information issued by ISCOM SPA is subject to continuous development without notification. The information contained in this data-sheet are correct at the date of issue. It is addressee's responsibility to ascertain from ISCOM SPA that the information contained in this data-sheet has not changed at the time of use by the addressee.

NOTES



**MATERIALS**

Galvanized Steel or Aluminum Grating  
Aluminum Support

**SUITABLE FOR**

Riverclack 500  
Riverclack 550  
Riverclack Grip 600

**RELATED COMPONENTS**

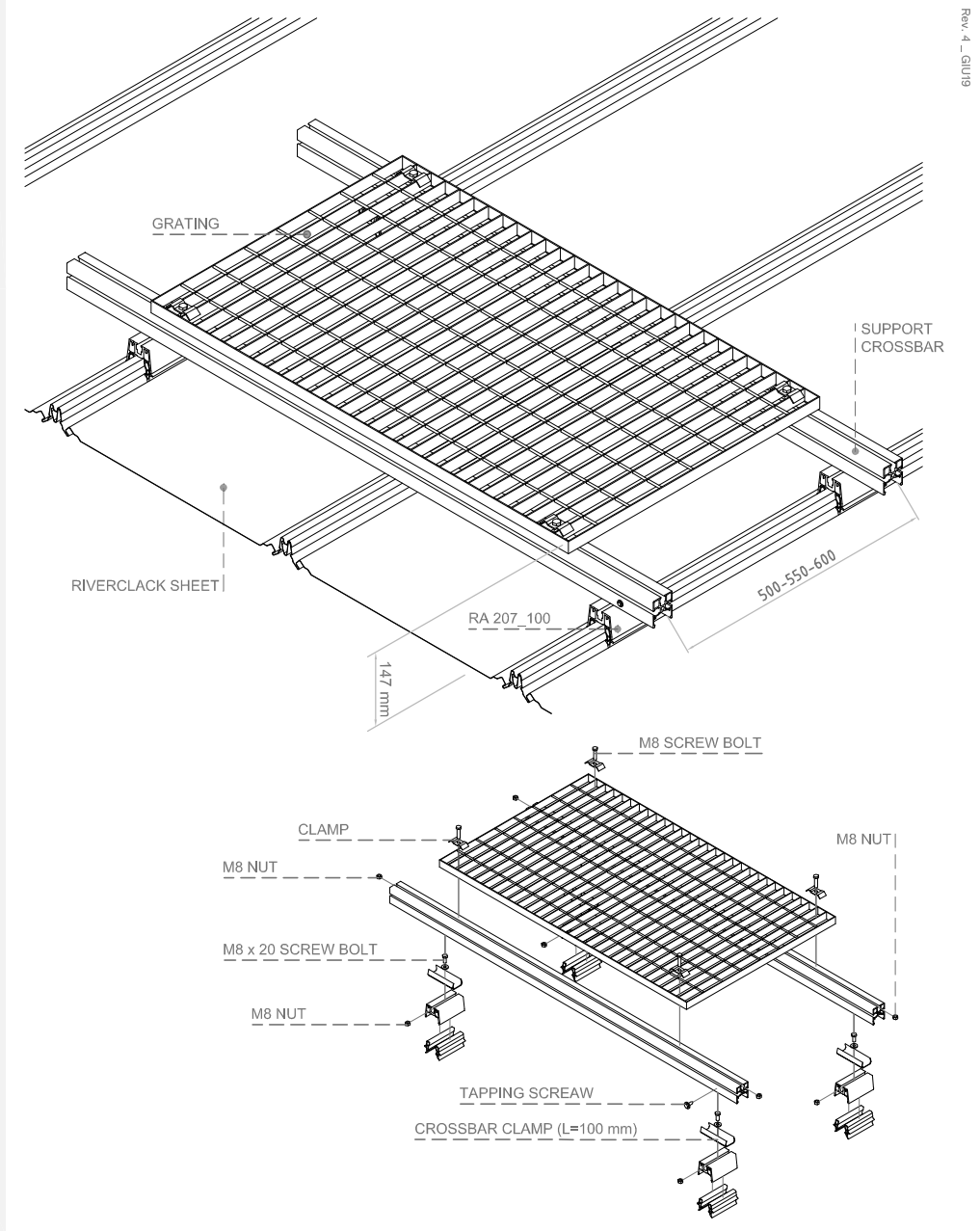
- Galvanized Steel or Aluminum Grating maximum width 650 mm
- Grating fixing Clamps
- RA 207\_100 support clamps
- Support crossbar
- Crossbar clamps (L=100 mm)
- Stainless Steel Screw bolts, nuts, washers

**NOTES**

- For slope  $\leq 3^\circ$
- Components from the technical design
- Installation perpendicular to the sheets
- Maximum span between the platform supports 0,6 m
- Maximum span between the walkway supports 1,2 m
- Tapping screw for locking crossbar thermal expansion
- Mind thermal expansions during the design and the installation phase
- Define the Grating material in the quotation phase

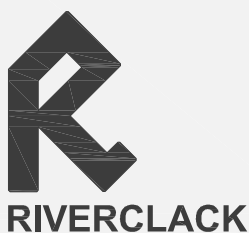
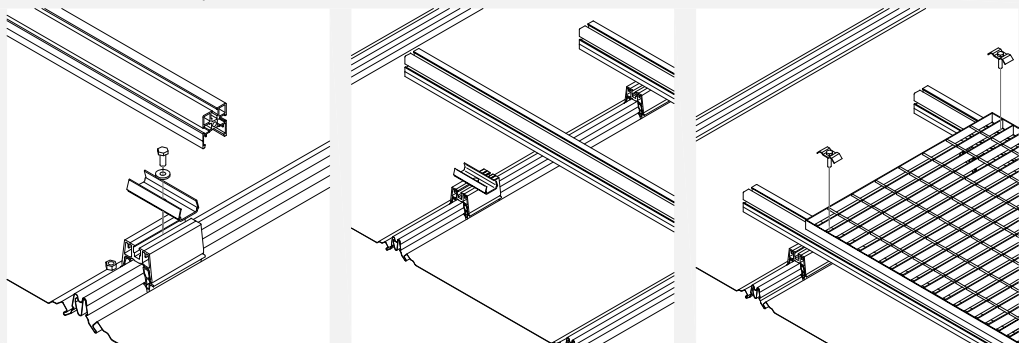
WWW.RIVERCLACK.COM

TECHNICAL SITUATION

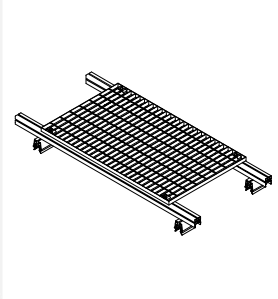


Rev. 4 - GIUG 09

INSTALLATION SEQUENCE



NOTES



**MATERIALS**

Galvanized Steel or Aluminum  
Grating  
Aluminum Support

**SUITABLE FOR**

Riverclack 500  
Riverclack 550  
Riverclack Grip 600

**RELATED COMPONENTS**

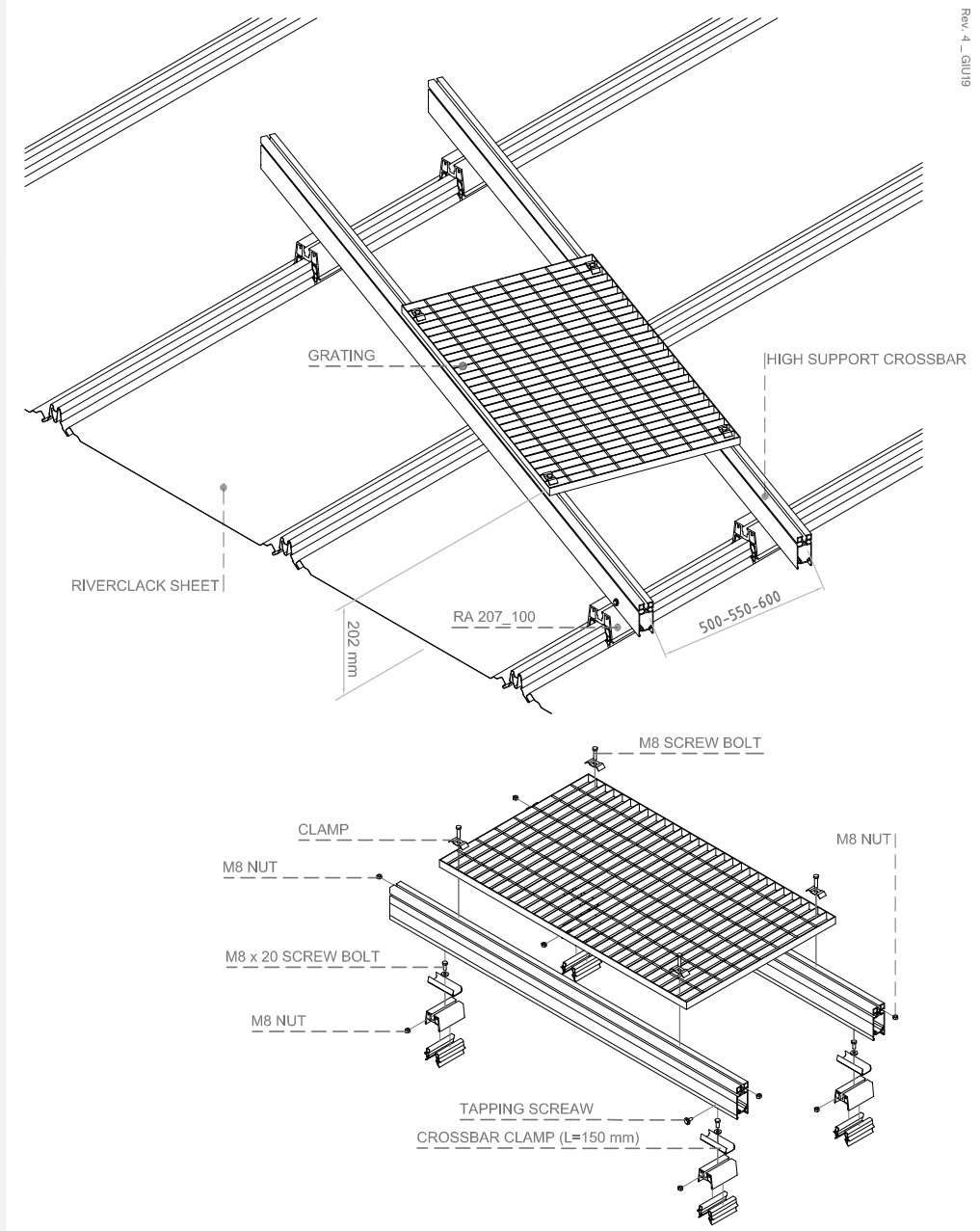
- Galvanized Steel or Aluminum Grating maximum width 650 mm
- Grating fixing Clamps
- RA 207\_100 support clamps
- High support crossbar
- Crossbar clamps (L=150 mm)
- Stainless Steel Screw bolts, nuts, washers

**NOTES**

- For slope  $\leq 3^\circ$
- Components from the technical design
- Installation oblique to the sheets
- Maximum span between the platform supports 0,6 m
- Maximum span between the walkway supports 3 m
- Tapping screw for locking crossbar thermal expansion
- Mind thermal expansions during the design and the installation phase
- Define the Grating material in the quotation phase

WWW.RIVERCLACK.COM

TECHNICAL SITUATION



Rev. 4\_GIUR

INSTALLATION SEQUENCE

