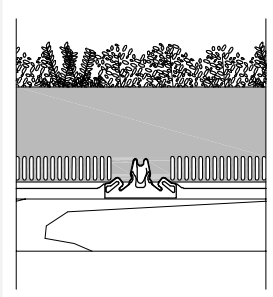


CONTAINMENT FLASHINGS ROOF GARDEN

NOTES



MATERIALS

Mill-finish aluminum

SUITABLE FOR

Riverclack 550

COMPONENTS

- RGA 100_R Right corner
- RGA 100_L Left corner
- RGA 101 Front wall
- RGA 102 Side wall
- RGA 103_R Inside right corner
- RGA 103_L Inside left corner

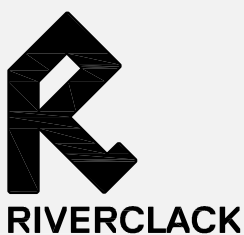
OPTIONAL COMPONENTS

- N. 4 aluminum 4.0x9 rivets for RGA100_R Right corner
- N. 4 aluminum 4.0x9 rivets for RGA 100_L Left corner
- N. 4 aluminum 4.0x9 rivets for RGA 103_R Inside right corner
- N. 4 aluminum 4.0x9 rivets for RGA 103_L Inside left corner

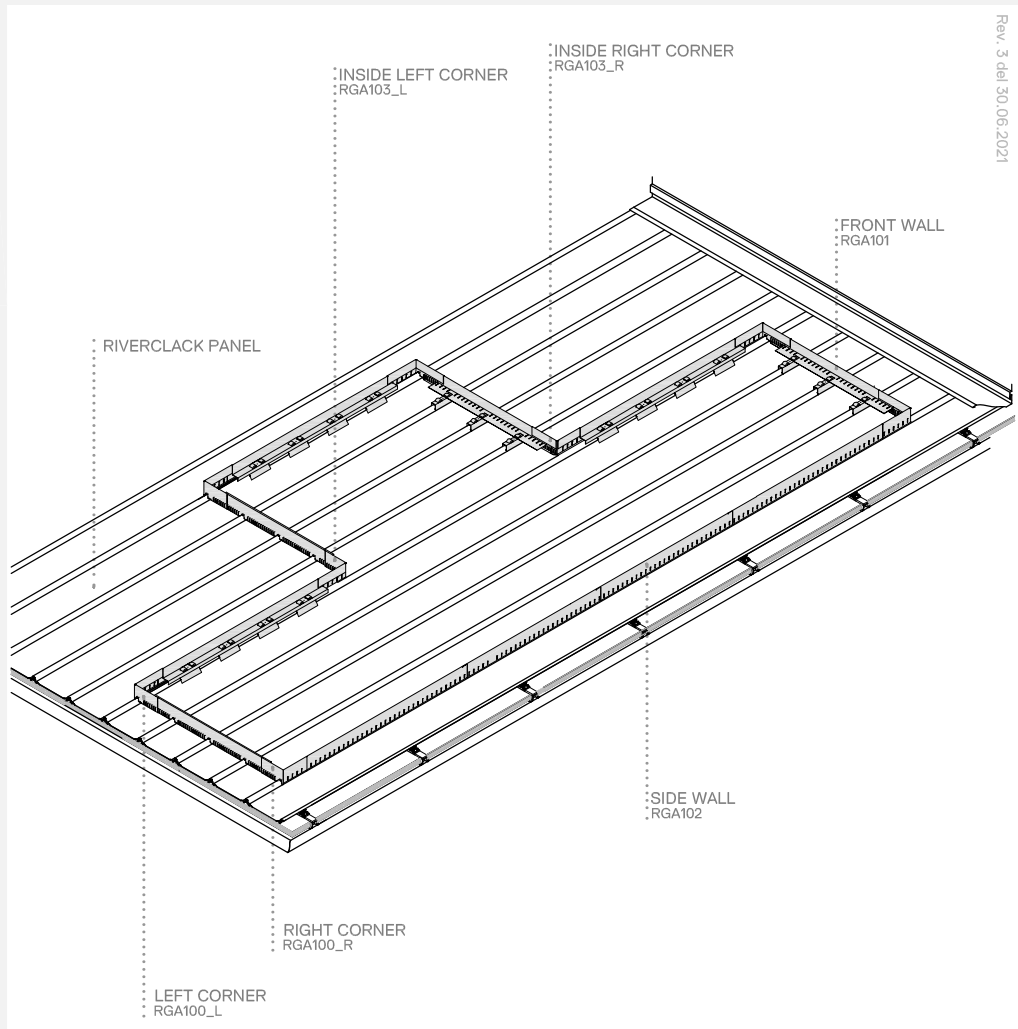
NOTES

- The containment flashings for roof gardens are a modular system to be designed case by case according to roofing shape
- RGA101 and RGA102 may be adjusted if necessary during construction by cutting to length on the lines reported on the item as reference
- Maximum slope 5%
- If necessary contact the ISCOM Technical Department for the choice of the components

WWW.RIVERCLACK.COM



TECHNICAL SITUATION

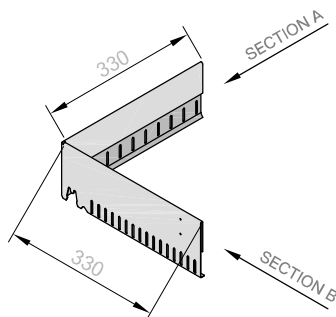


Rev. 3 del 30.06.2021

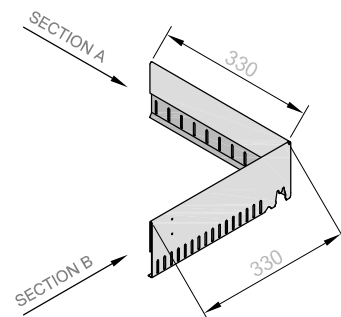
SYSTEM COMPONENTS

CORNERS

RGA 100_L
LEFT CORNER



RGA 100_R
RIGHT CORNER



CONTAINMENT FLASHINGS ROOF GARDEN

TECHNICAL SITUATION

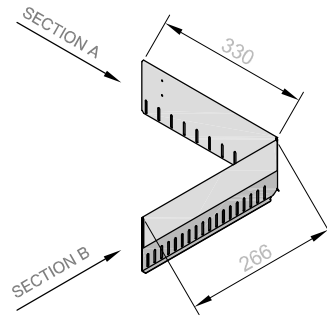
MOUNTING INSTRUCTIONS

- Clean and degrease the panels' ribs in the mounting zone of RSA302
- Fix the RSA302 items according to the design scheme, with the application of silicone between the item's plastic hooks and the panel rib
- Put in place the Front Wall RGA101 flashings and fix them in the plastic hooks of RSA302 items, block them with the TCEI 5,5x16 screws
- Fix the RSA302 items on the rib at the side section of the roof garden according to the design scheme, with the application of silicone between the item's plastic hooks and the panel rib
- Put in place the Side Wall RGA102 flashings and fix them in the plastic hooks of RSA302 items, then put the TCEI 5,5x16 screw with the item's hole as reference
- Put in place the Corners (RGA100_L and RA100_R) and fix them to RGA101 and RGA102 with rivets, after have made core-holes using the items' holes as reference
- If necessary, contact ISCOM Technical Department

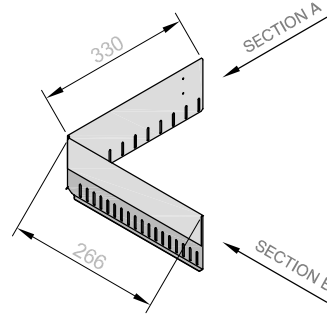
WWW.RIVERCLACK.COM

Rev. 3 del 30.06.2021

RGA 103_R
INSIDE RIGHT CORNER

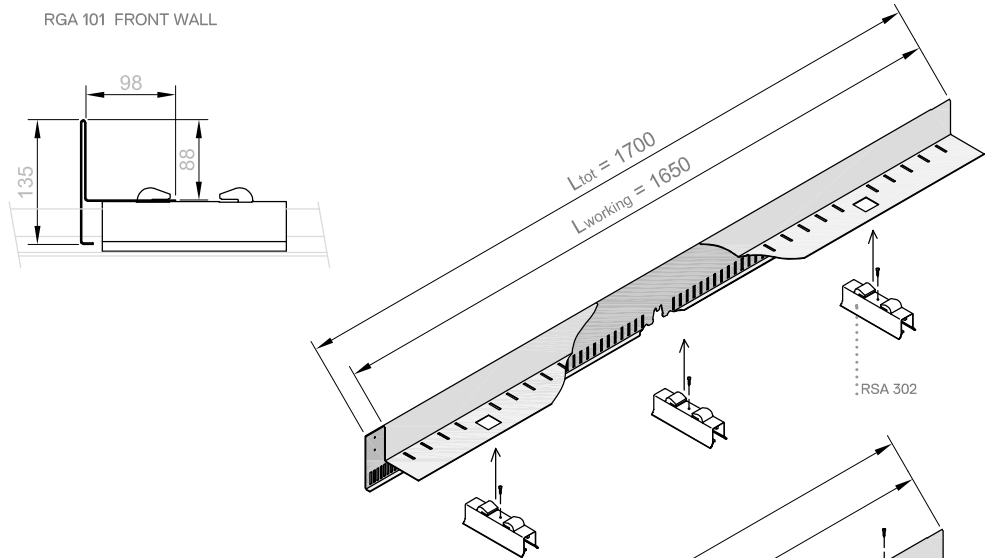


RGA 103_L
INSIDE LEFT CORNER



CONTAINMENT FLASHINGS KITS

RGA 101 FRONT WALL



RGA 102 SIDE WALL

