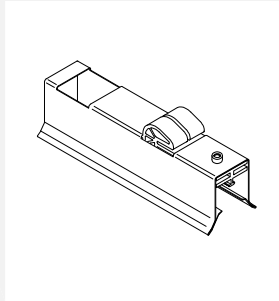


## NOTES



### MATERIALS

0.7 mm mill finish aluminum  
Polyamide

### SUITABLE FOR

Riverclack 500  
Riverclack 550

### INCLUDED COMPONENTS

- N°1 bent aluminum profile
- N°1 polyamide bracket with fixing hook
- N°1 PV panel stopper
- TCEI 5.5 x 16 stainless steel self-tapping screw, head D = 10 mm
- N°1 310 ml cartridge of silicone (for n°20 items)

### RELATED COMPONENTS

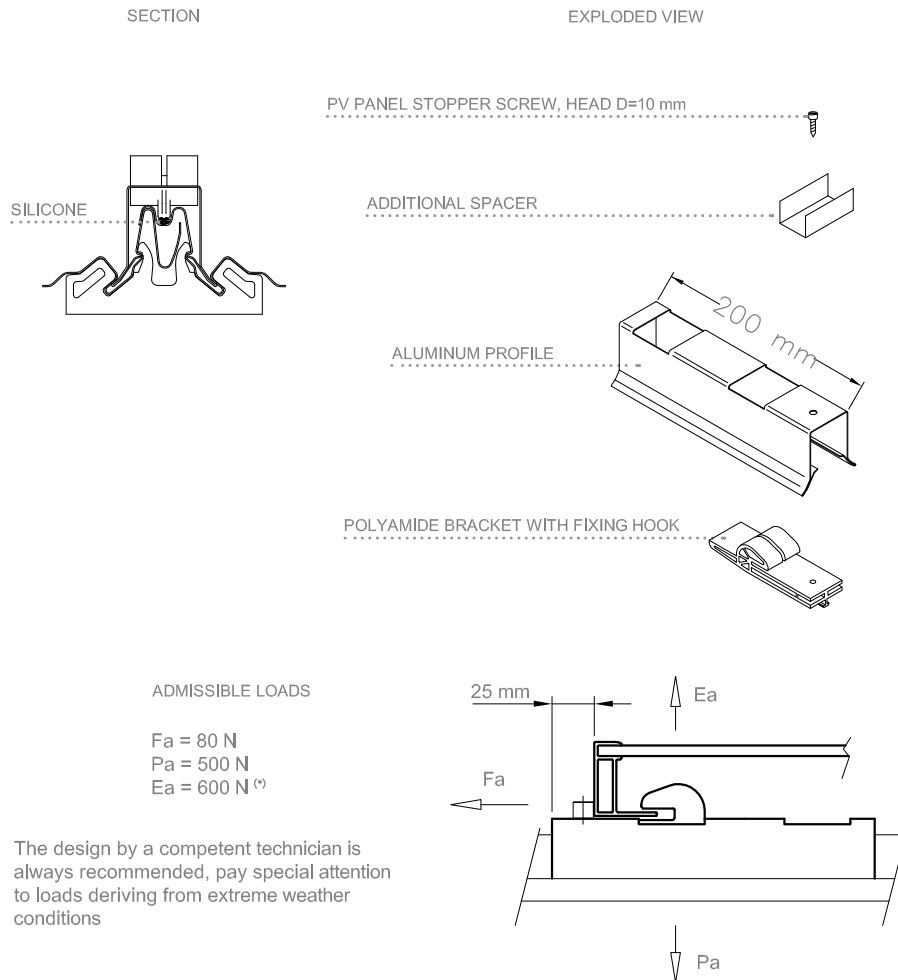
- Climpo RSA 300
- Dedicated iron fastener

### NOTES

- Not applicable on profiles produced before 2001
- To be used in perimetric areas of the PV field replacing the standard Climpo for a more subtle visual impact
- It is recommended to employ one Climpo every sheet rib
- The system requires a transversal positioning of the modules in relation to the length of the sheet
- For system compatibility refer to technical sheet RSA 300 (Climpo)
- For any other information refer to technical sheet RSA 300
- Patented, n° 1662727

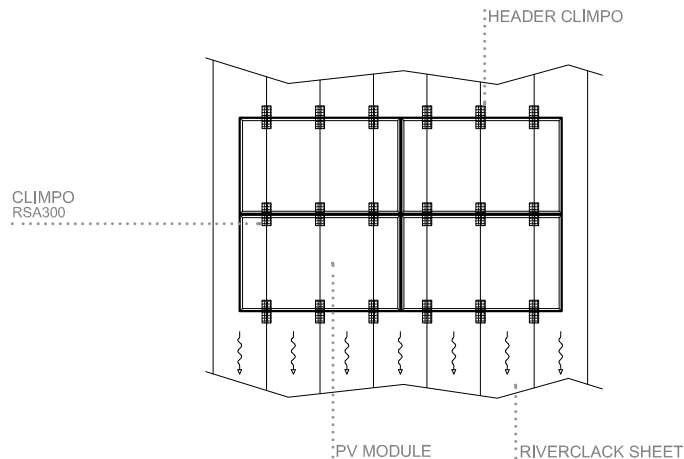
WWW.RIVERCLACK.COM

## TECHNICAL SITUATION



(\*) - for Riverclack sheets produced after 2005  
- before 2005 consider  $E_a = 400 \text{ N}$

### APPLICATION EXAMPLE



Rev. 6 FEB 2021