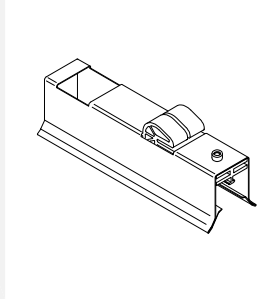


SHORT HEADER CLIMPO

RSA 303

NOTES



MATERIALS

0.7 mm mill finish aluminum
Polyamide

SUITABLE FOR

Riverclack 500
Riverclack 550

INCLUDED COMPONENTS

- N°1 bent aluminum profile
- N°1 polyamide bracket with fixing hooks
- N°1 PV panel stopper
TCEI 5.5 x 16 stainless steel self-tapping screw, head D = 10 mm
- N°1 310 ml cartridge of silicone (for n°20 items)

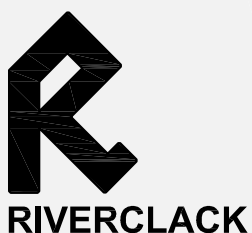
RELATED COMPONENTS

- Short Climpo RSA 302
- Dedicated iron fastener

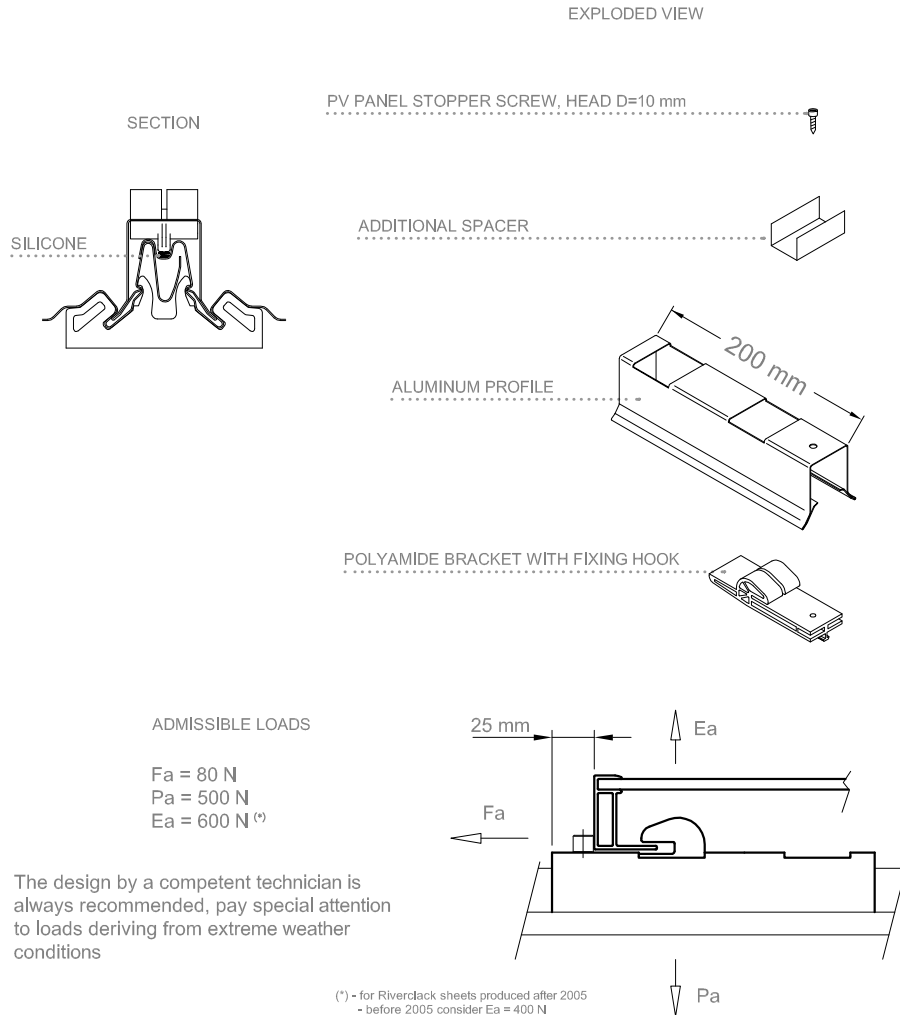
NOTES

- Not applicable on profiles produced before 2001
- To be used in perimetric areas of the PV field replacing the standard Climpo for a more subtle visual impact
- It is recommended to employ one Climpo every sheet rib
- The system requires a transversal positioning of the modules in relation to the length of the sheet
- For system compatibility refer to RSA 302 (short Climpo) technical sheet
- For any other information refer to RSA 302 technical sheet
- Patented, n° 1662727

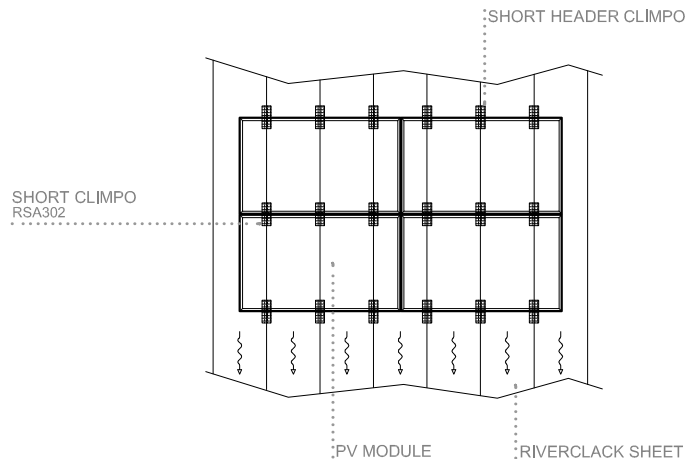
WWW.RIVERCLACK.COM



TECHNICAL SITUATION



APPLICATION EXAMPLE



REV. 6 FEB 2021